



By *Graber Manufacturing, Inc.*



Bicycle Security Solutions



Working Together as a Family for over 30 Years to Create Innovative Solutions for Bicycle Security

At Madrax, we are passionate about our bike racks. Since 1989, Madrax has been a premier manufacturer of heavy-duty, high-quality bicycle parking racks that are innovative, practical, and aesthetically pleasing. Our rigorous standards ensure that each bicycle rack undergoes stringent quality testing before carrying our name. This dedication is why Madrax is increasingly the preferred bicycle rack worldwide.

With a wide selection of colors and styles, our racks effortlessly blend form and function, offering you an extensive variety to choose from. As a family-owned and operated company, we value honesty and openness in our business practices, respecting all our customers and employees. Our commitment to craftsmanship and quality means that we strive to create products that are as enjoyable for our customers to use as they are for us to make. At Madrax, our passion fuels the creation of bike racks that truly stand out in both design and performance.

Table of Contents:

Parking Guide	Page 7-10
Custom Bicycle Racks	Page 11-12
Bike Room Builder	Page 13-14
Bicycle Lockers	Page 15-20
Bicycle Storage	Page 21-26
Shelters & Sheds	Page 27-34
Bicycle Parking Racks	Page 35-54
Bicycle Corrals	Page 55-56
Repair Stand and Pump	Page 57-58
Theme Racks	Page 59-62
Materials & Accessories	Page 63-64
Site Furnishings	Page 65-66



MADLOCKERS™ P.15-20



PIE MADLOCKERS™ P.16



VERTICAL & NARROW LOCKERS P.17-18



BOOST P.21-22



HORIZONTAL P.22



BIKE TIER P.23-24



VERTICAL STORAGE P.23

NEW



FOLDING STORAGE P.24



ROLL UP RACK P.25



PARALLEL RACK P.25



EXHIBITOR P.25



Z RACK P.26



WALL RACK P.26



SHELTERS P.27-29



SHEDS P.30-34



STOUT™ P.36



FINN™ P.36



LOFTY™ P.37



METRO™ P.37



PIERCE™ P.37



WINGRA™ P.38



SHADOW™ P.38



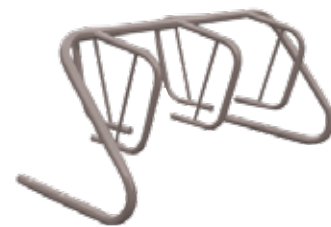
GENESIS™ P.39



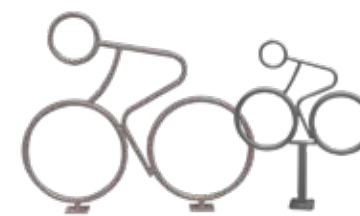
CIRCA 2000™ P.39



TRITON™ P.40



SPARTAN™ P.40



ADVOCATES™ P.41-42

NEW



PIN RACK™ P.41-42



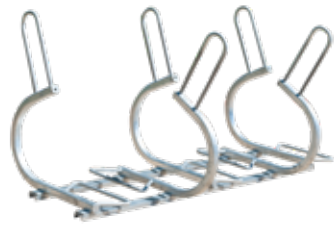
PHOENIX™ P.43-44



OPAL™ P.43



ORION™ P.44



SENTRY™ P.45



SHARK™ & SHARK UP™ P.45-46



'U' RACKS P.46



SQUARE 'U' RACKS P.47



'U'S ON RAILS P.47



SQUARE 'U'S ON RAILS P.48



U-TWO™ P.48



POST & RING RACK P.49

NEW



LEANING POST & RING P.50



BOLLARDS P.50



WINDER RACKS P.51-53



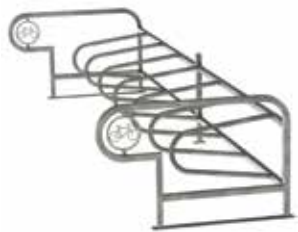
GRAND STAND P.53



GRIDRACS P.54



SKATEBOARD RACKS P.54



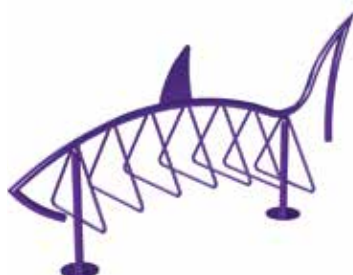
BIKE CORRALS P.55-56



REPAIR STANDS P.57-58



BIKE PUMP P.58



THEME RACKS P.59-62

Bicycle Parking Guide



Overview

As cycling gains momentum as the top choice for alternative transportation, it is important to provide secure bicycle parking accommodations. Embrace this opportunity to create a healthier community and environment by offering proper bicycle parking facilities. We understand the value cyclists place on their bikes, which is why we've developed straightforward guidelines to assist you in creating secure and functional bicycle parking solutions for them!

Site Planning

The first step in planning bicycle parking is to determine whether you need short-term parking or long-term parking.

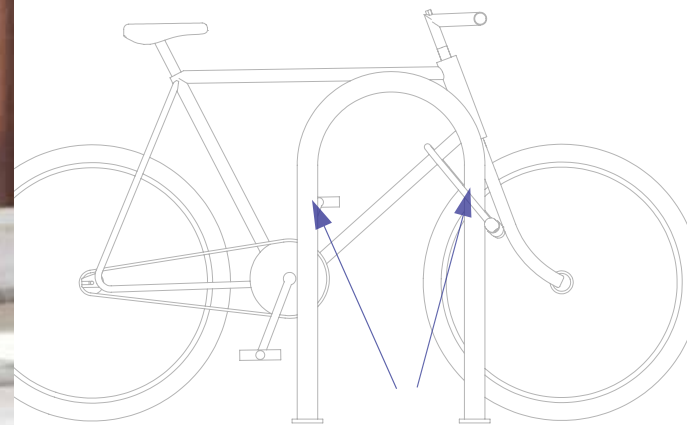
Short-term parking offers a secure and convenient location when bicycles to be locked up for a couple of hours. Short-term parking options are typically found near the main entrances of buildings and should be in well-lit areas. Bicycle racks should be within 50 ft. of the entrance or closer than the nearest car parking stall. Short-term bicycle parking should be visible from an entrance.

Long-term parking is best for commuters who must leave their bicycles unattended for more than two hours. This type of parking requires the most secure solutions so that bikes are protected from theft and weather conditions. Bike lockers are a common, cost-effective choice for long-term parking. Because long-term parking is usually located in low traffic areas, effective signage is recommended.

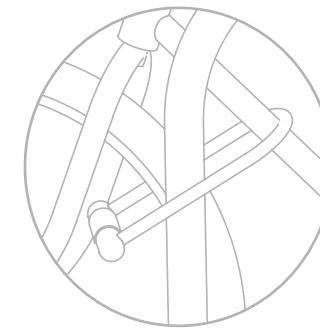
Choosing a Bicycle Rack

When it comes to selecting a bicycle rack, there are some key aspects to consider. To make the right choice, consider the intended users and installation location carefully. Other key factors to keep in mind include ease of use, bicycle frame support, security features, capacity, functionality, material quality, and aesthetics.

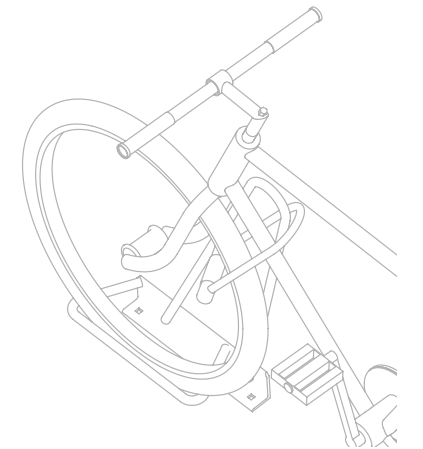
When choosing a bicycle rack, make sure the rack is made of high-quality material. Choose a bike rack that supports the bicycle upright by its frame at two points; this prevents the front wheel from turning and the bicycle from tipping over. Make sure the frame and one or both wheels can be secured using a U-lock. For additional bicycle support use bicycle racks that have wheel wells.



Two Points of Contact



Frame and One or Both Wheels Secured Using a U-lock



Wheel Wells for Additional Bicycle Support

Install Options

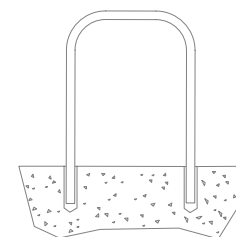
Racks must be securely anchored to the ground to prevent bike thieves from freeing the rack. There are four installation types: in ground mount, surface mount, freestanding/rail mount and freestanding.

In ground: This is a permanent option where the bottom of the rack is encased in a concrete bed. This option is often used when installing on asphalt, grass or pavers.

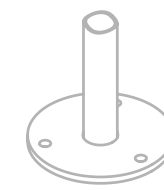
Surface mount: This is the most common option that has a flange plate with mounting holes to be anchored to an existing concrete pad. This option is not secure on asphalt or pavers.

Rail mount: Rail mounts are more suitable solutions for existing surfaces of concrete, asphalt or pavers. Rail mount bike racks have racks bolted to rails. These can then be anchored to the surface or left freestanding.

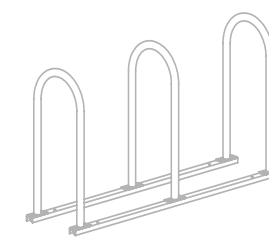
Freestanding: Freestanding racks offer less security. These would be best used where there is additional security, such as fenced-in or actively monitored areas.



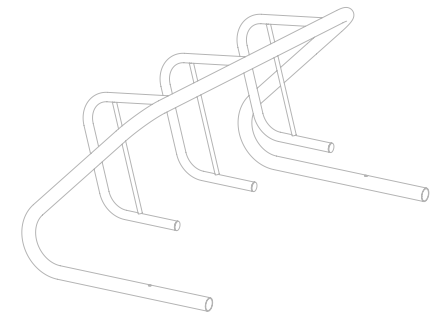
In Ground Mount



Surface Mount



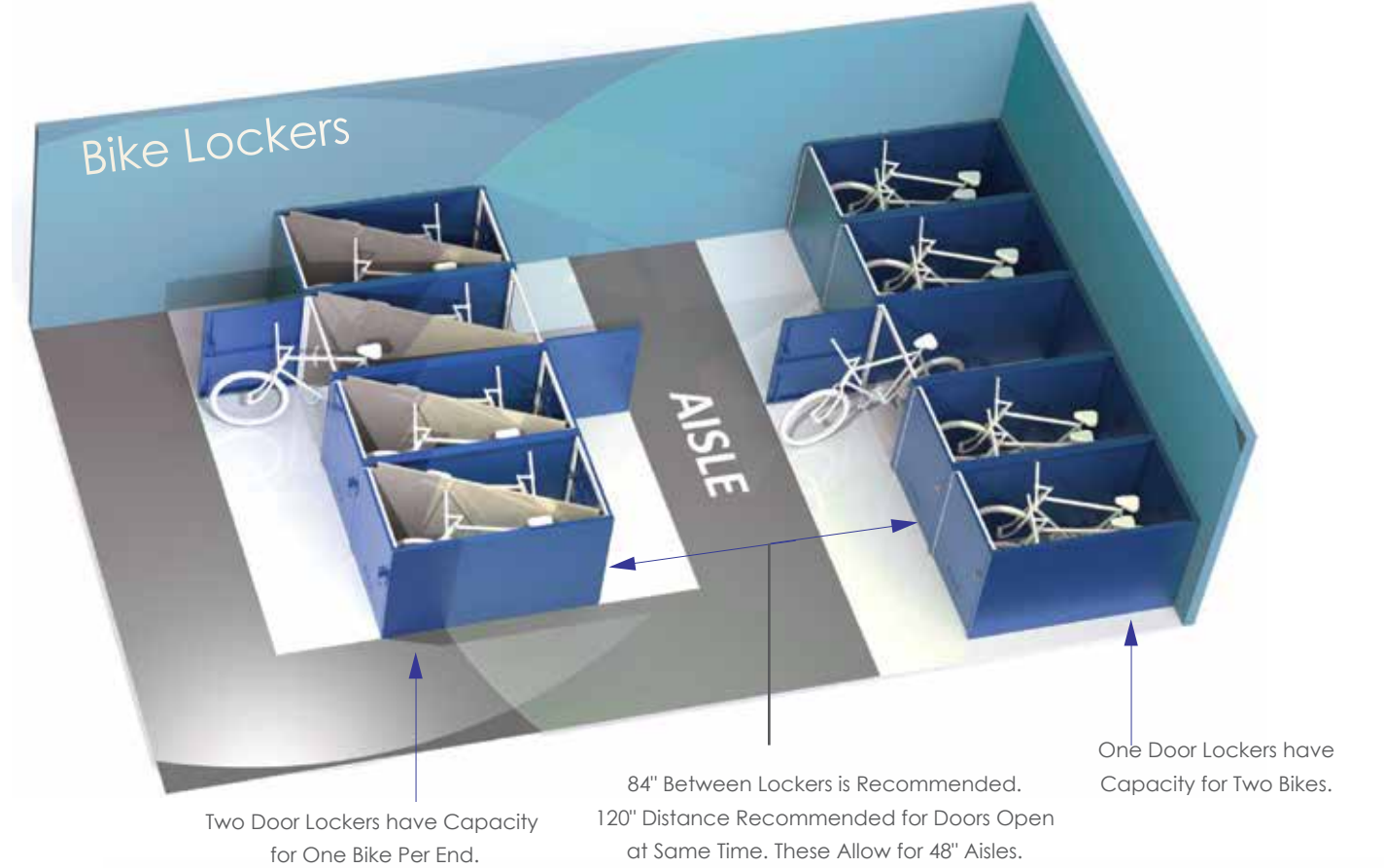
Rail Mount



Freestanding

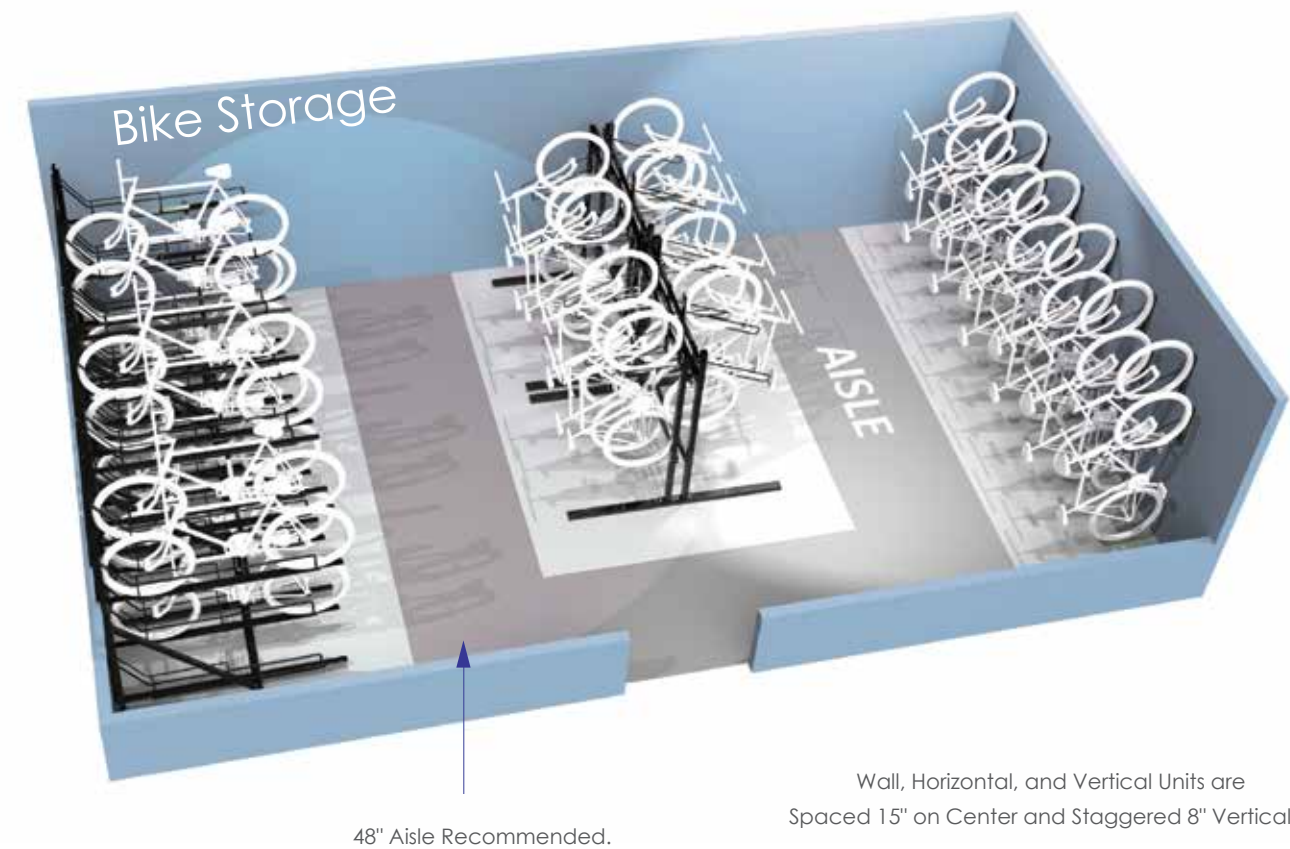
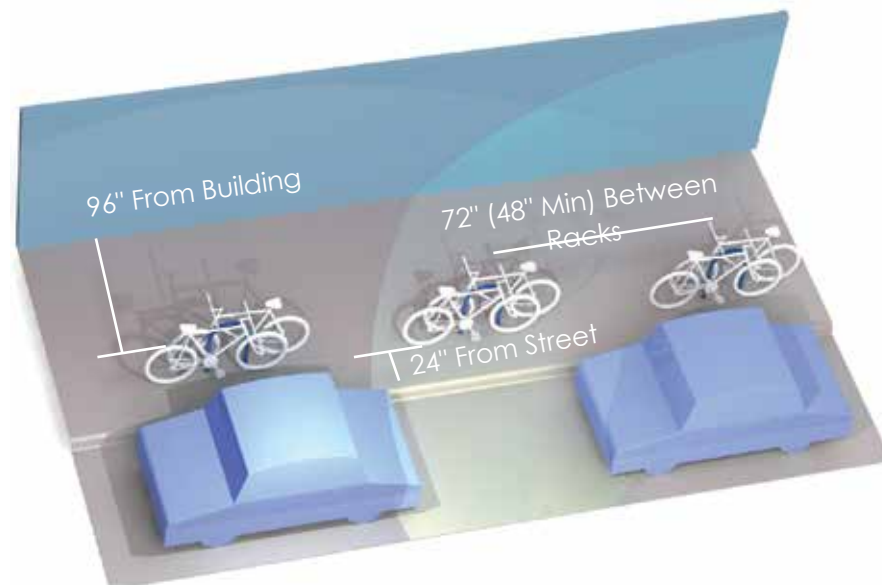
Spacing Recommendations

CHECK YOUR LOCAL CODES



Sidewalk Placement

There must be at least a six-foot clear walkway from the building, to comply with the Americans with Disabilities Act. The bicycle rack cannot be located directly in front of a store/building entrance or exit, nor in a driveway. The bicycle rack cannot be located closer than two feet from the curb. Three feet from the curb is ideal, although in certain circumstances, the distance may be greater. If you have questions about whether a particular bicycle parking rack you are considering using meets any of these requirements, please contact Madrax customer service and consult your local regulations.





imagine. inspire. create.

Custom Racks

Whether you want to transform your environment, promote your organization, or just express your creativity, our custom bicycle racks are your best resource. We will work with your idea, your sketch, or your blueprint to bring your vision to life.

Custom bicycle racks can be unique in color or design. We can match your corporate color or logo, create bicycle racks that meet your unique needs, and design and produce custom bicycle racks that are not only functional, but just plain fun!

Contact us today about your custom bicycle rack needs. Let's work together to take your ideas from concept to creation.

Brand Your Organization

Looking for a unique way to brand your organization, encourage cycling and support sustainability? Let Madrax help you deliver a clear message with our branding racks. Select a compatible rack, send us your logo, and in return our highly experienced engineers will send you a 3D-Rendering along with a quote... It's that simple!

Our products are individually shaped, formed and constructed, and personally inspected to meet your specifications. We'll always exceed your standards for quality, materials, and craftsmanship.



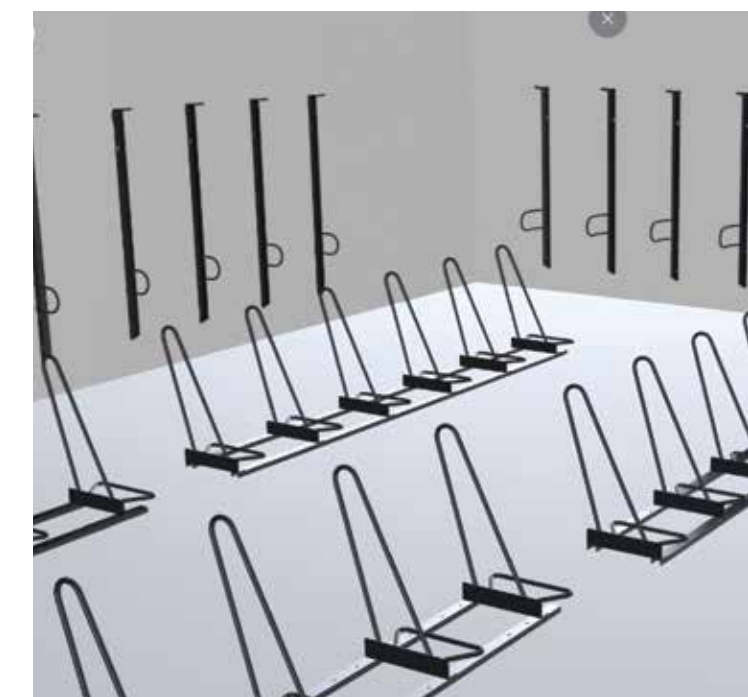
New! Bike Room Builder



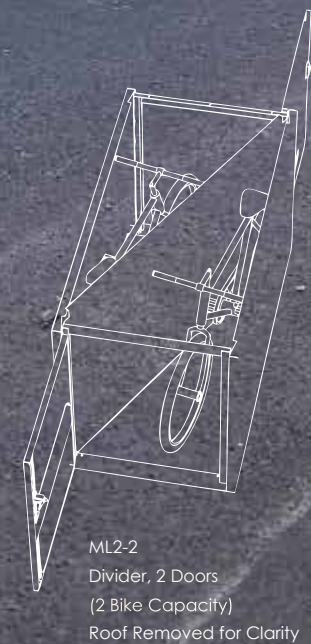
Check out our **NEW!** Bike Room Builder - madrax.com/roombuilder

The Bike Room Builder is a revolutionary tool that allows you to design your own custom bike storage room within minutes. The program allows users to create their own 3D model of their dream bike room simply by dragging and dropping components into place.

To access the Bike Room Builder, log onto our website and select the Bike Room Builder tab on our home page banner. Alternatively, you can access the builder by selecting a bike storage product. Please note that you will have to log in to access the Bike Room Builder, but it's free to create an account and you can use it at any time. Once you're logged in, you can start a new project or resume an existing one.



Bike Lockers



ML2-2
Divider, 2 Doors
(2 Bike Capacity)
Roof Removed for Clarity



ML1-1 and ML1T-1 Stacked

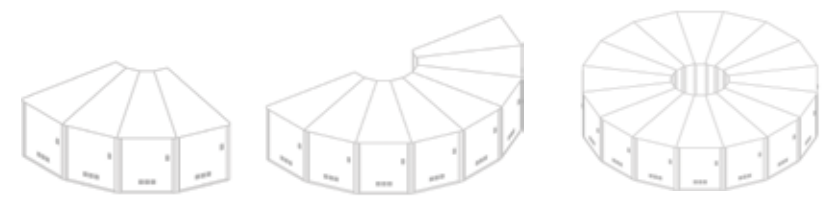
MadLocker™



ML2F-2-P

- 39" Wide x 75" Long x 46" High
- Each Unit Parks 1-2 Bikes
- No Common Wall Construction
- Maximum Security and Tamper-Resistant
- Weather Protection, Long-Term Parking, Stackable, 100% Galvanized for Corrosion Protection, and Easy to Assemble
- 3 Point Locking Mechanism, Wider Door Opening, Non-Scratch Door Frame, and Optional Floors

Pie MadLocker™



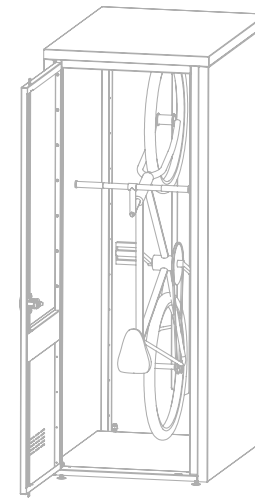
MLP-1-P



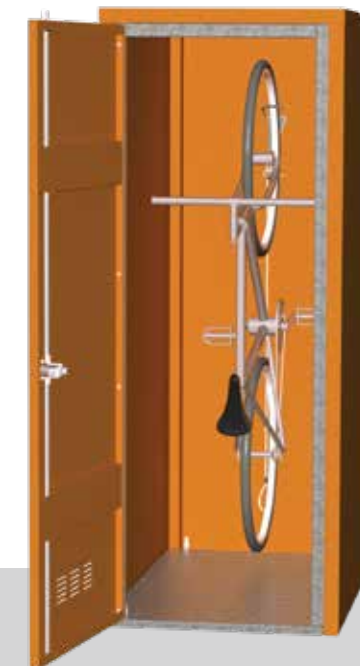
- 39" Wide x 74" Long x 46" High
- Each Unit Parks 1 Bike
- No Common Wall Construction
- Maximum Security and Tamper-Resistant
- Weather Protection, Long-Term Parking, Stackable, 100% Galvanized for Corrosion Protection, and Easy to Assemble
- 3 Point Locking Mechanism, Wider Door Opening, Non-Scratch Door Frame, and Optional Floors



Vertical MadLocker™

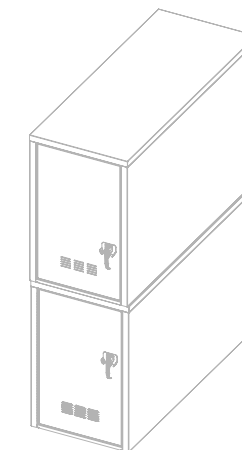
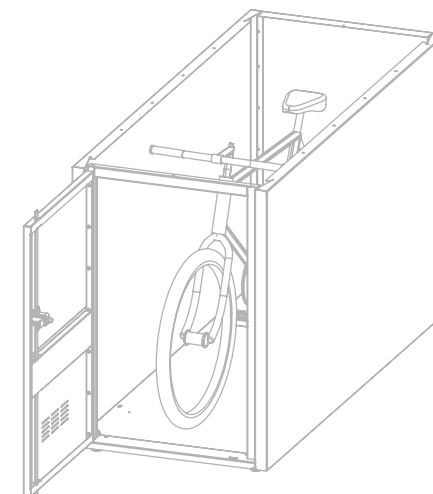


MLVF-1-P



- 31" Wide x 79" Tall x 47" Deep
- Unit Parks 1 Bike Vertically
- No Common Wall Construction
- Maximum Security and Tamper-Resistant
- Long-Term Parking, 100% Galvanized for Corrosion Protection, and Rigid Welded Door Frame
- Z Bike Rack Included
- Space Saver

Narrow MadLocker™



MLNT-1

MLN-1

MLN-1-P



- 31" Wide x 75" Long x 46" High
- Unit Parks 1 Bike
- No Common Wall Construction
- Maximum Security and Tamper-Resistant
- Long-Term Parking, Stackable, Hot Dip Galvanized Welded Steel Door Frame, Easy to Assemble, and 3 Point Locking Mechanism
- Narrow for Space Saving, Non-Scratch Door Frame, and Optional Floors



Standard:
 Helmet / Clothes Hook
 Stainless Padlock and U-Lock Locking Handle

Options:
 Locker Numbers
 Perforated Doors / Walls
 Two Tone Colors
 Galvanized Floors
 Stackable
 Pop Out T-Handle with Round Key



3 Point Locking Mechanism - Enables More Secure Locking



12 Gauge Hot Dip Galvanized Steel Frame (Prevents Door/Frame Failure and Sag)



Gear Hanging Hooks - Keeps Clothing and Equipment Organized



Louvers for Ventilation - Reduces Heat and Moisture

Locking Options:

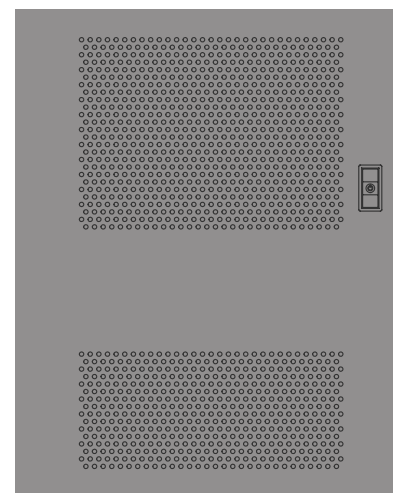


Pop Out T-Handle

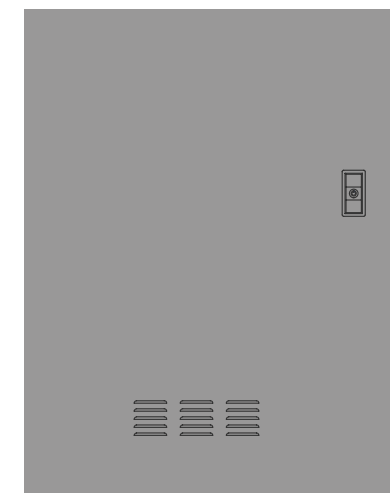


Padlock / U-Lock Locking Handle

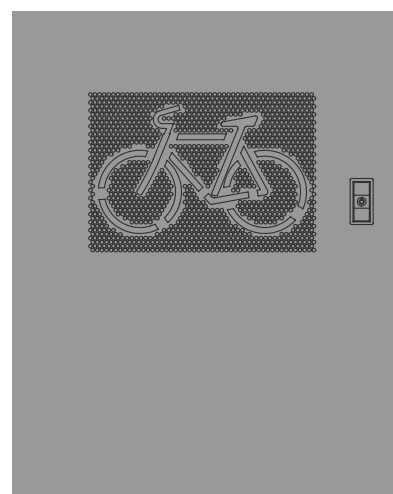
Door Options:



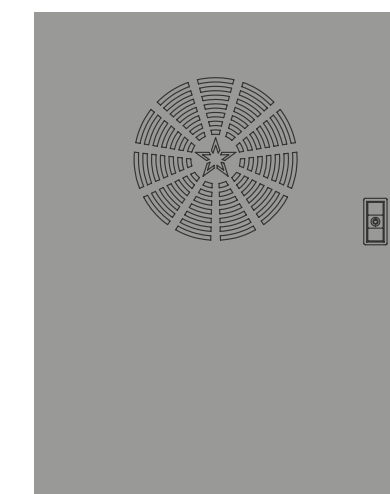
Perforated Door (Safety View)



Solid Door (Standard)



Perforated Bike Design (Safety View)



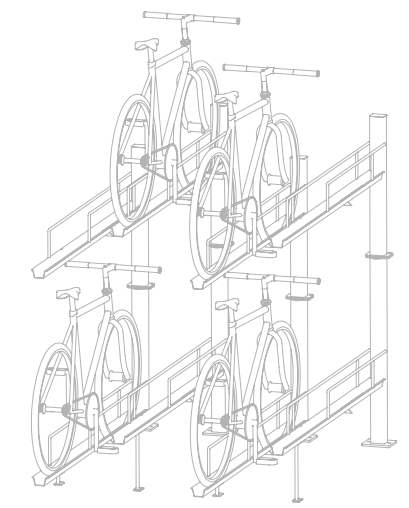
Custom (Safety View)

Safety Options
 Meets the need for visual inspection of contents.

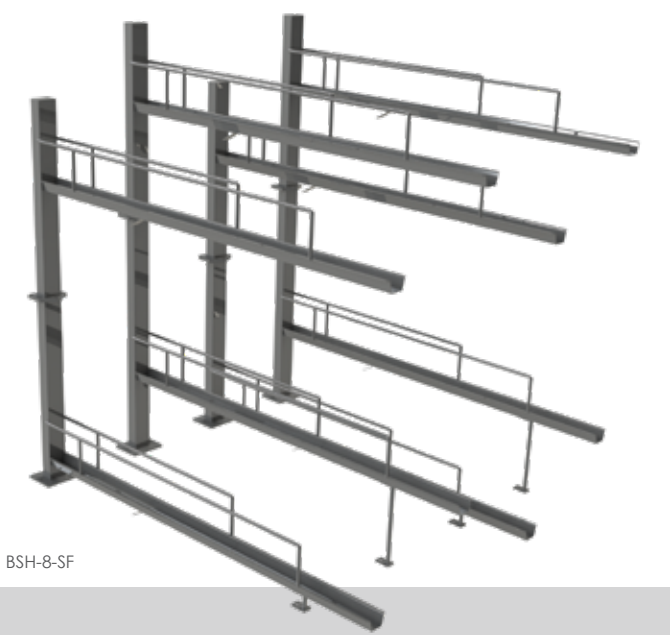
Storage Solutions



Horizontal Storage



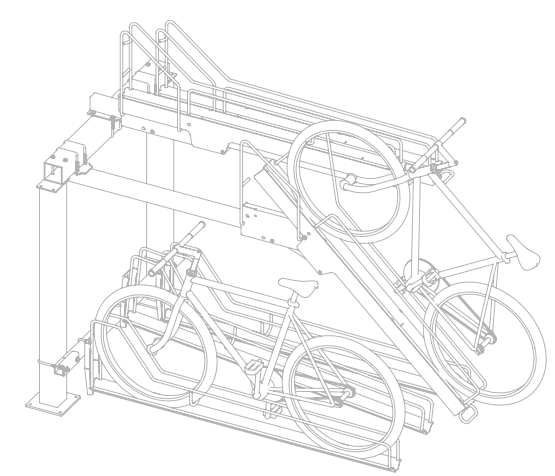
BSH-8-SF



BSH-8-SF

- 15" Staggered Spacing and 8-1/2' Minimum Ceiling Height
- Galvanized or Powder Coated
- Freestanding, Wall Mounted, and Surface Mounted
- Fat Tire Option Available
- High Capacity Storage, User Friendly Loading, and "U" Lock Bar on all Stalls

Bike Boost



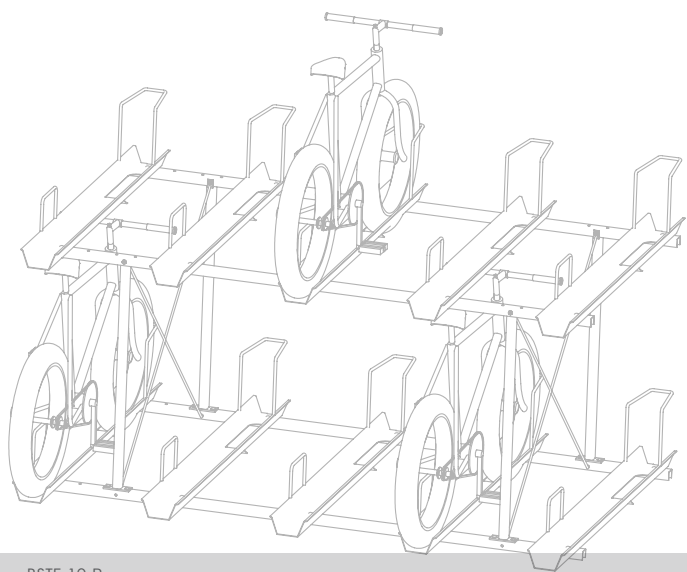
BBS-6-SNG



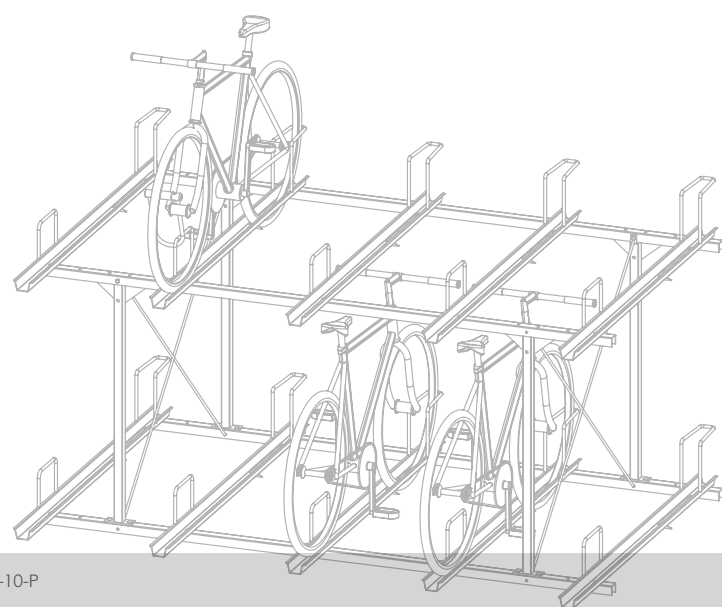
BBS-6-SNG with 2 EA. BBS-6-SNG-AO

- 15" Staggered Spacing and 8-1/2' Minimum Ceiling Height
- Spring Lift Assist for Upper-Tier Parking
- Yellow Front Wheel Hook for Secure Loading
- Galvanized or Powder Coated
- High Capacity Storage, User Friendly Loading, and "U" Lock Bar on all Stalls

Bike Tier



BSTF-10-P



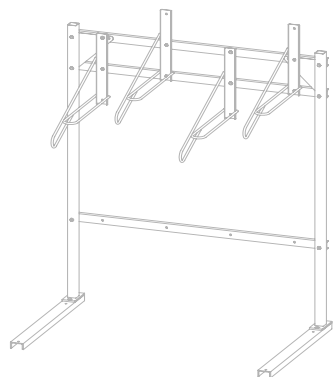
BST-10-P

- 24" Spacing and 7-1/2' Minimum Ceiling Height
- Black Powder Coated
- Fat Tire Option Available
- Available with or without Locking Bars
- High Capacity Storage

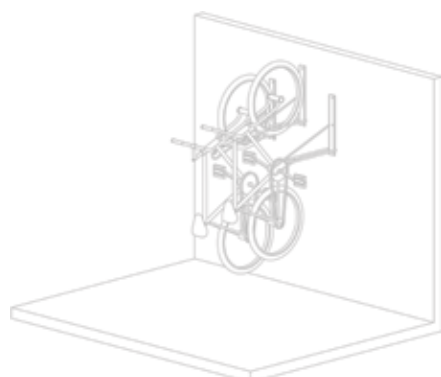


BSTN-10-P

Vertical Storage



BSV-4-FS



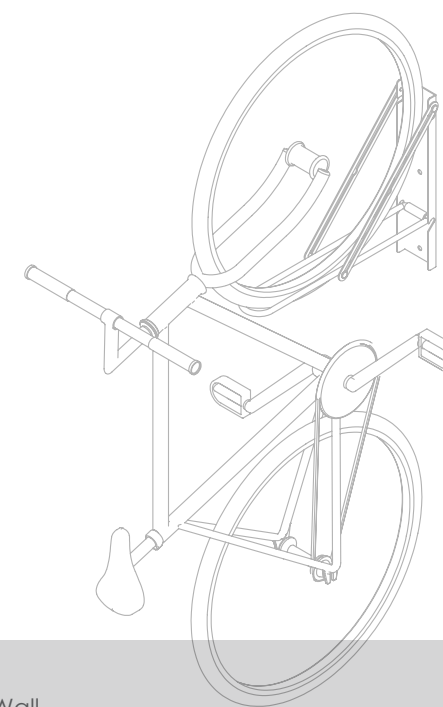
3 EA. BSV-1-WM



BSV-1-WM

- Each BSV is 28" Deep x 3-1/4" Wide x 21" High and Constructed of 1/2" Steel Rod
- Galvanized or Powder Coated
- Wall Mount
- Economical, Practical, Compact, and Ideal for Apartment/Residential Use

Folding Vertical Storage



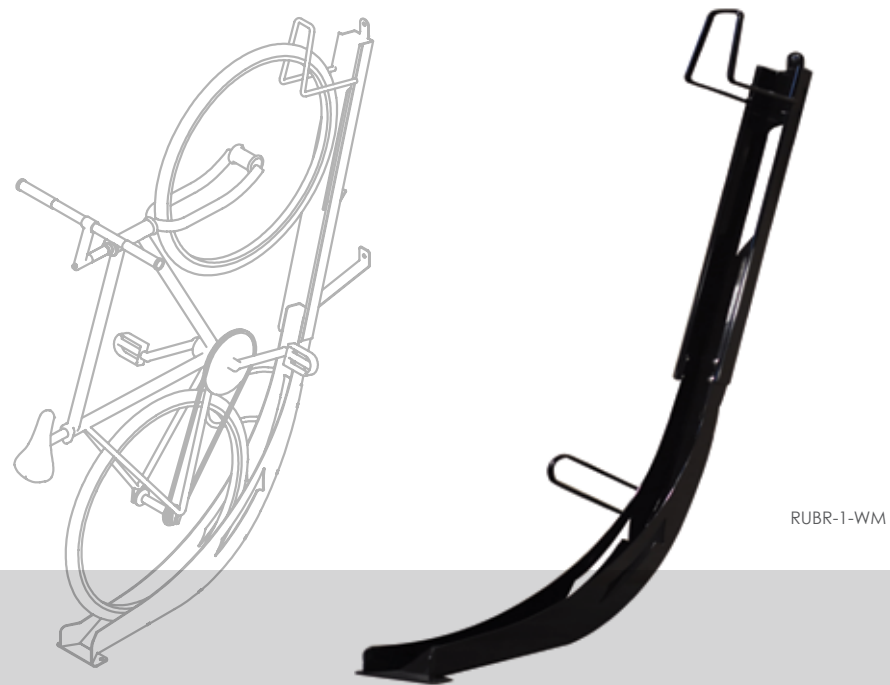
New!



BSVF-1

- Powder Coated Black
- 180 Degree Swing to Fold Against Wall
- Wall Mount
- Economical, Compact, and Ideal for Apartment/Residential Use

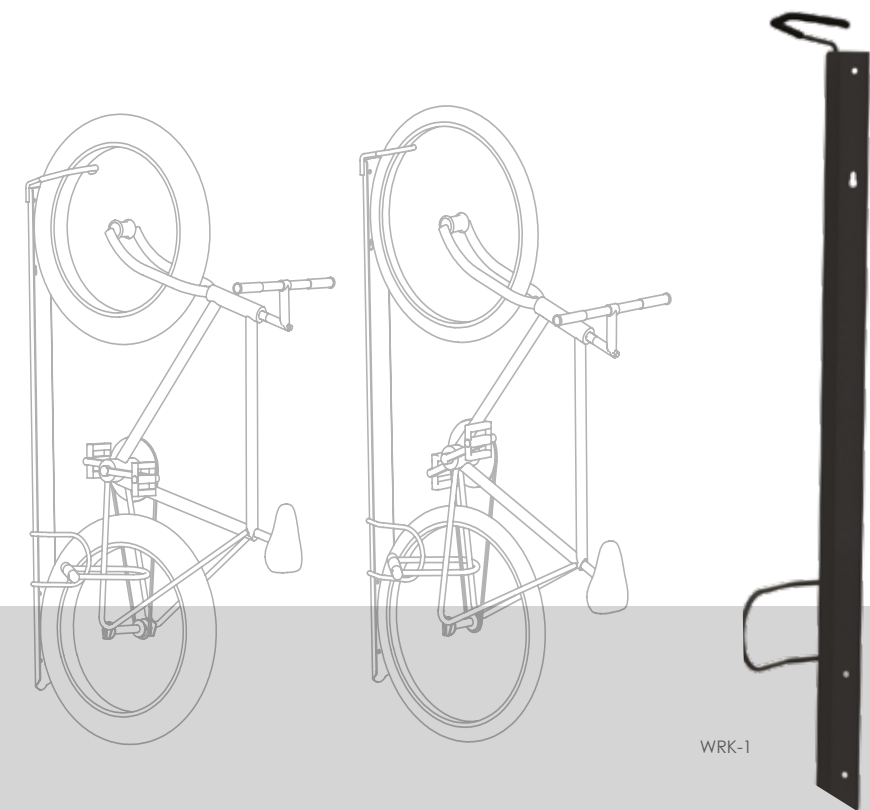
Roll Up Rack



RUBR-1-WM

- Galvanized or Powder Coated
- Wall Mount
- Optional Lock Bar
- Wheel Stop
- No Need to Lift Bike
- Economical, Practical, Compact, and Ideal for Apartment/Residential Use

Wall Rack

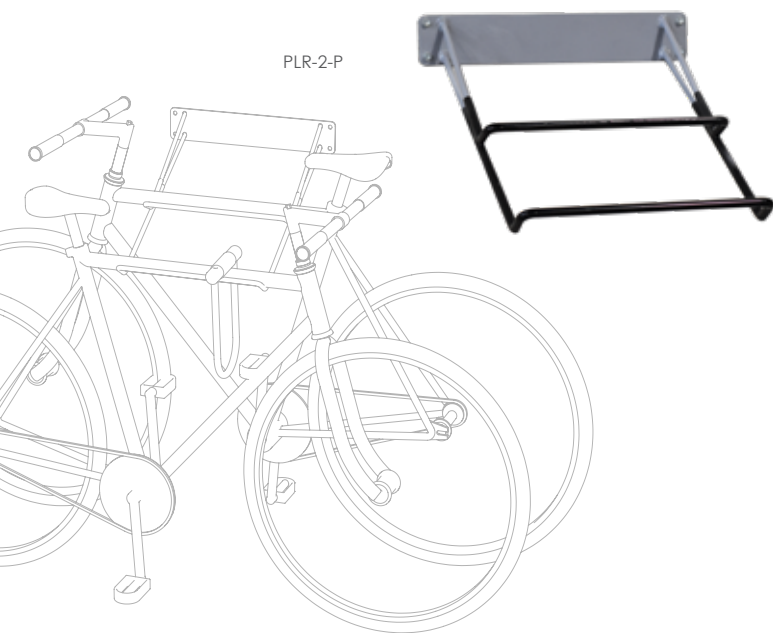


WRKF-1

WRKF-1

- 3" Wide x 62 High
- Galvanized or Powder Coated
- Wall Mount
- Optional Lock Bar
- Fat Tire Option Available
- Economical, Practical, and Compact

Parallel Rack



PLR-2-P

- 17" Wide x 18" Deep x 12" High
- Parks 2 Bikes
- Wall Mount
- Powder Coated Grey with Black PVC Coated Supports
- Economical, Practical, and Compact
- Ideal for Apartment/Residential Use

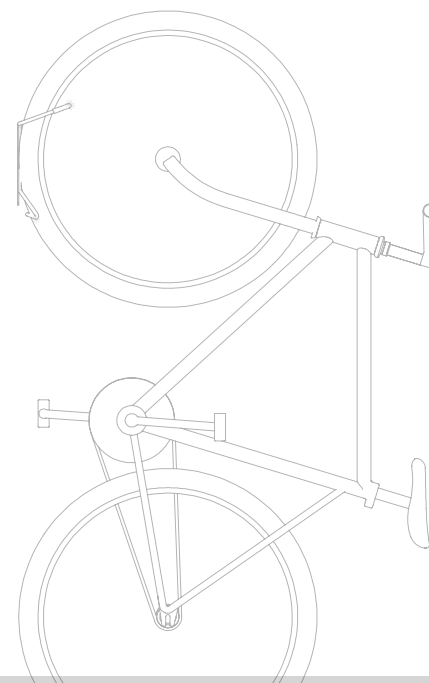
Exhibitor Rack



BEX-1-P

- 12" Wide x 12-1/4" Deep x 3" High
- Powder Coated
- Wall Mount
- Economical, Practical and Compact
- Ideal for Apartment/Residential Use

Z Rack

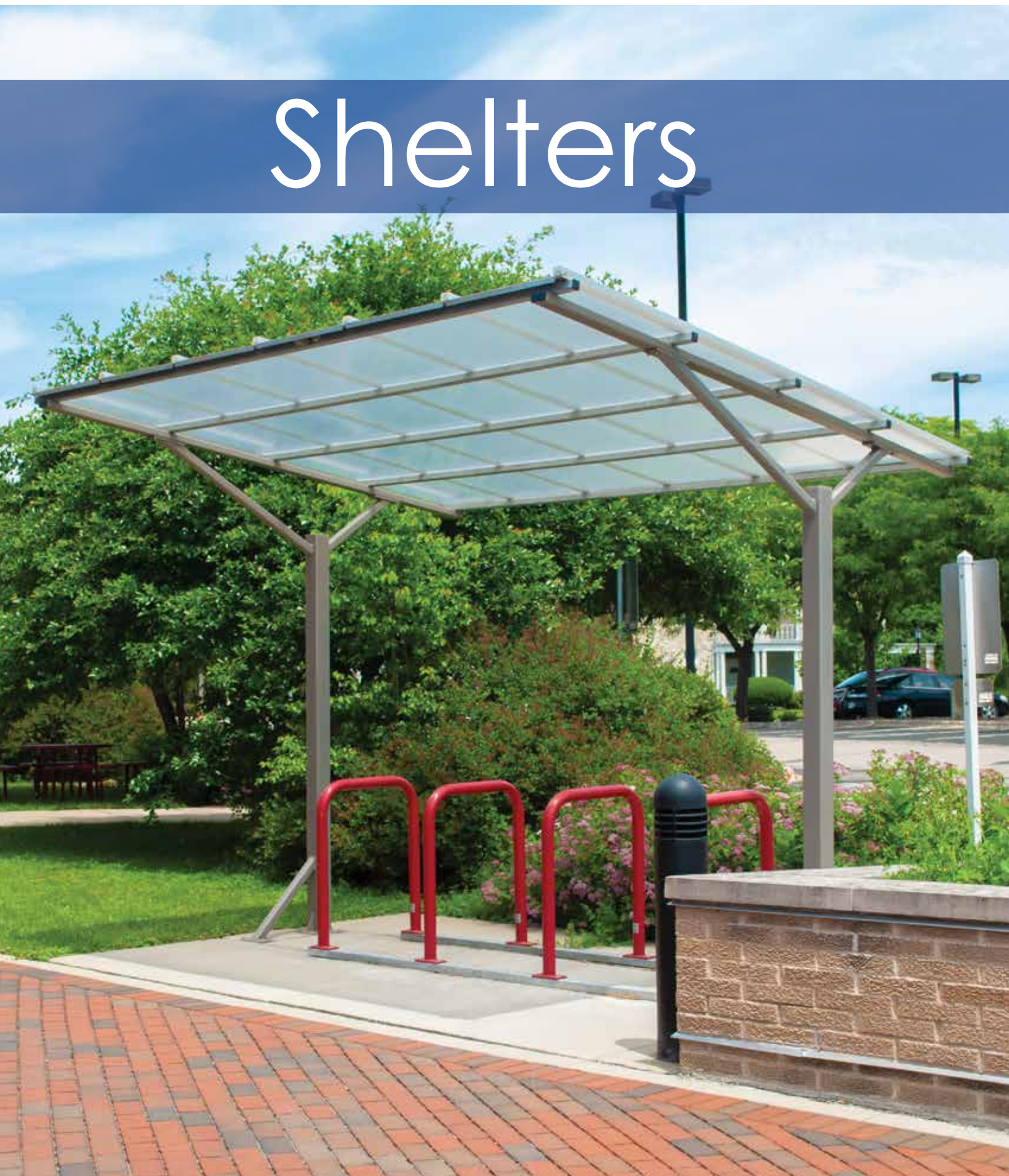


ZR-1-P

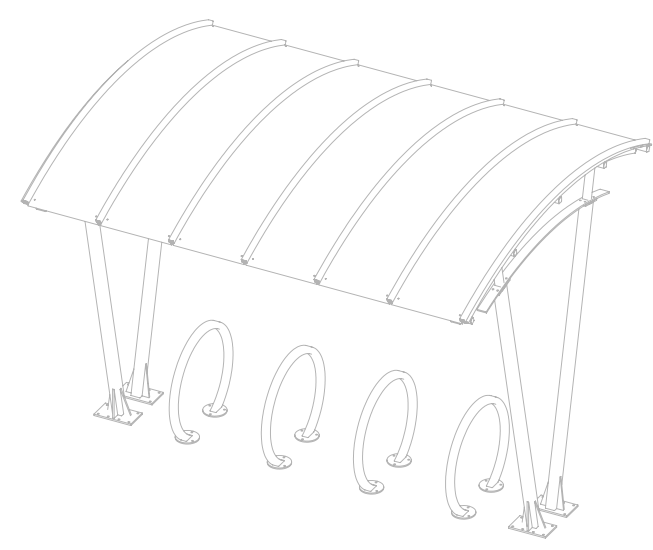
- 3-3/8" Wide x 4-7/8" Deep x 10-1/2" High
- Powder Coated Grey with Black PVC Coated Hanger Support
- Wall Mount
- 6FT. Locking Cable Option
- Economical, Practical, Compact, and Ideal for Apartment/Residential Use



Shelters



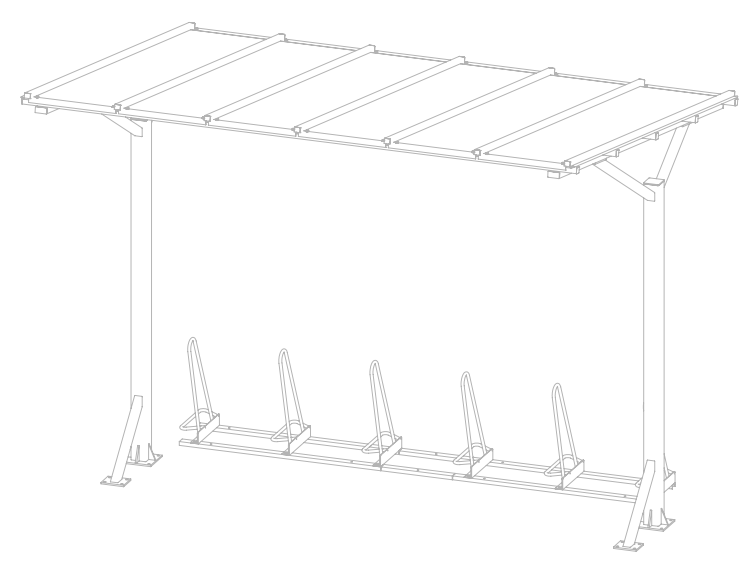
Ashton™ Shelter



SHL-ASH-12-P

- 10' Deep x 12' Wide x 8' High Shelter
- Bronze Polycarbonate Roof Top
- Galvanized or Powder Coated
- Compatible with a Large Variety of Bicycle Racks and Site Furnishings
- Arched Roof

Wingra™ Shelter



SHL-WIN-12-P

- 10' Deep x 12' Wide x 8' High Shelter
- Bronze Polycarbonate Roof Top
- Galvanized or Powder Coated
- Compatible with a Large Variety of Bicycle Racks and Site Furnishings
- Sloped Roof

Tenney™ Shelter

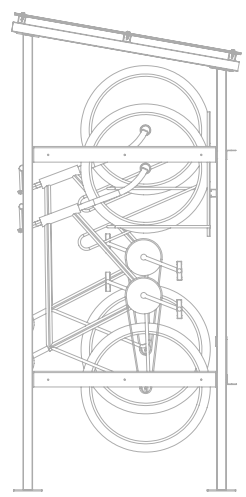


- 10' Deep x 12' Wide x 8' High Shelter
- Corrugated Plastic Roof Top
- Galvanized or Powder Coated
- Compatible with a Large Variety of Bicycle Racks and Site Furnishings
- Sloped Roof

Sheds



Vertical Shed

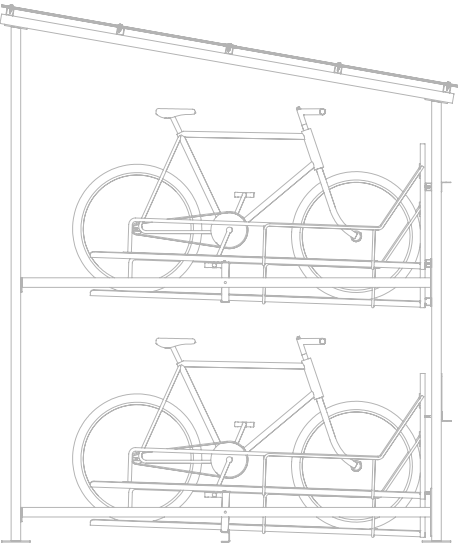


SHD-V12-G



- 2" and 1-1/2" Square Tubing
- Polycarbonate Roof Top
- Galvanized or Powder Coated
- Surface Mount
- Bench and Polycarbonate Panel Options
- 136" Wide x 100" Tall x 48" Deep

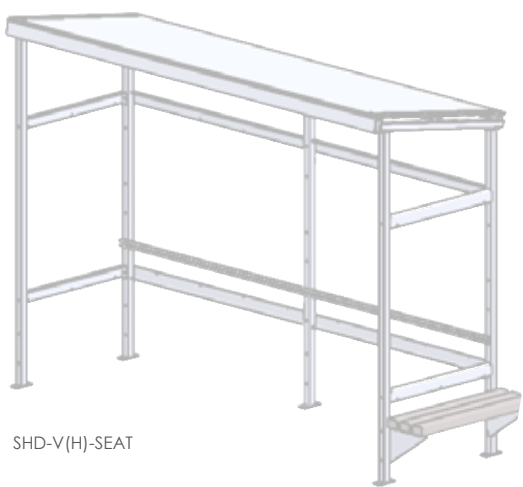
Horizontal Shed



SHD-H12-G



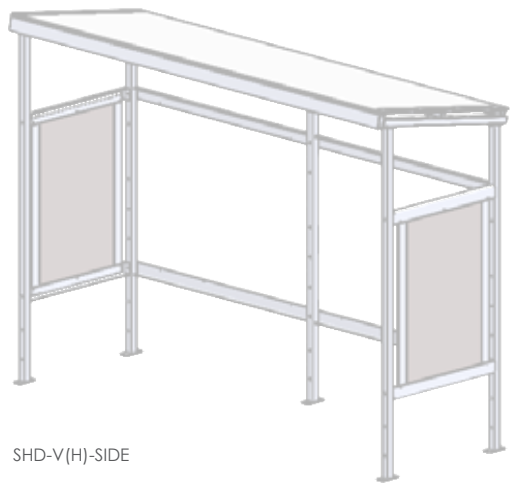
- 2" and 1-1/2" Square Tubing
- Polycarbonate Roof Top
- Galvanized or Powder Coated
- Surface Mount
- Bench and Polycarbonate Panel Options
- 136" Wide x 113" Tall x 96" Deep



SHD-V(H)-SEAT

Integrated Bench

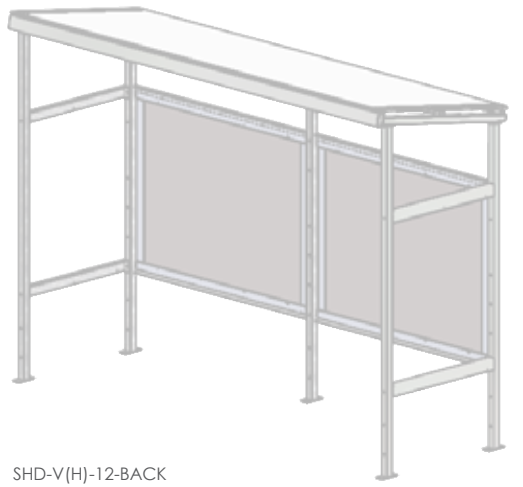
- Fits Either Side



SHD-V(H)-SIDE

Side Wind Break

- Polycarbonate 16MM Thick
- Bronze Color



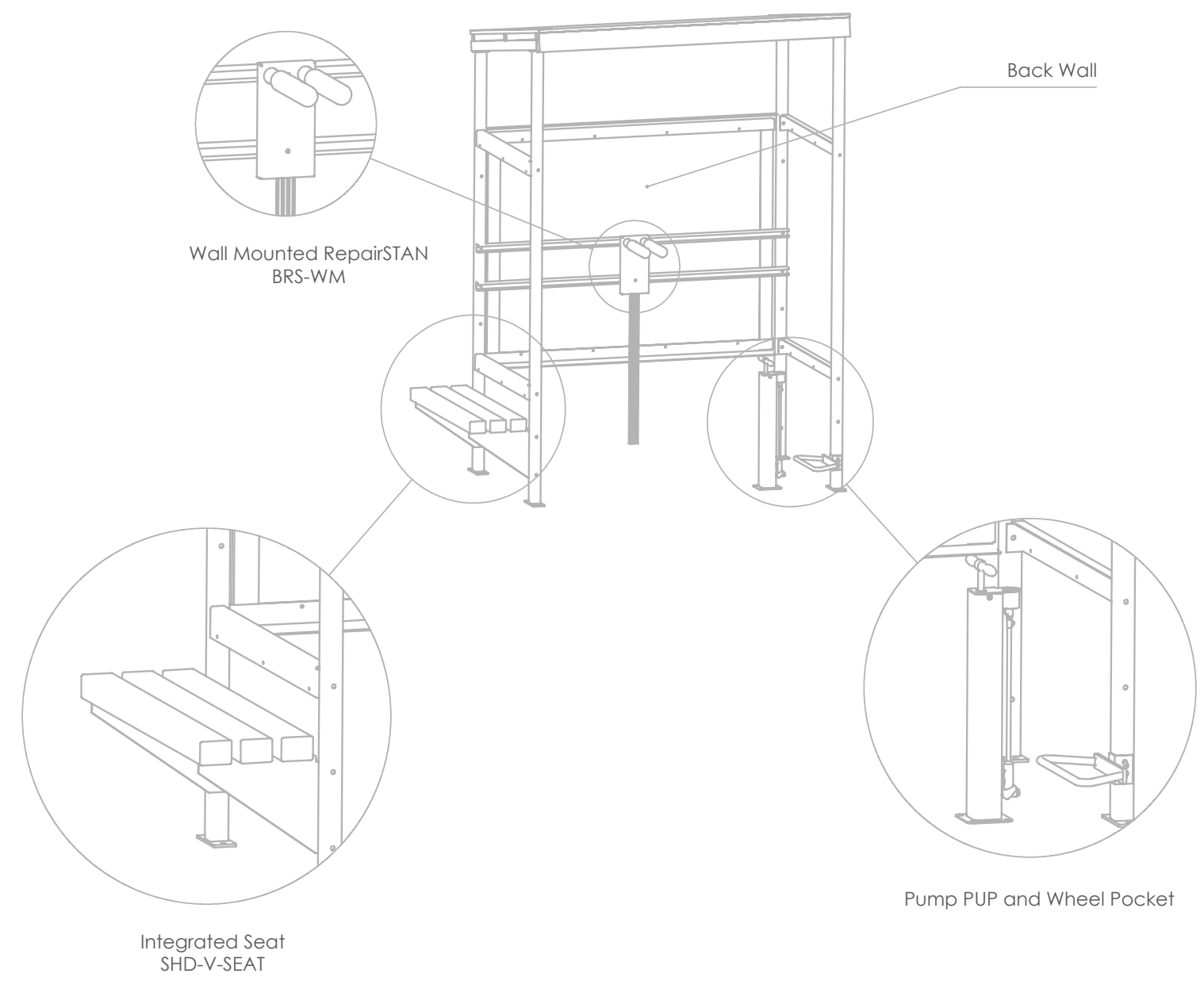
SHD-V(H)-12-BACK

Back Wind Break

- Polycarbonate 16MM Thick
- Bronze Color



Bicycle Repair Shed



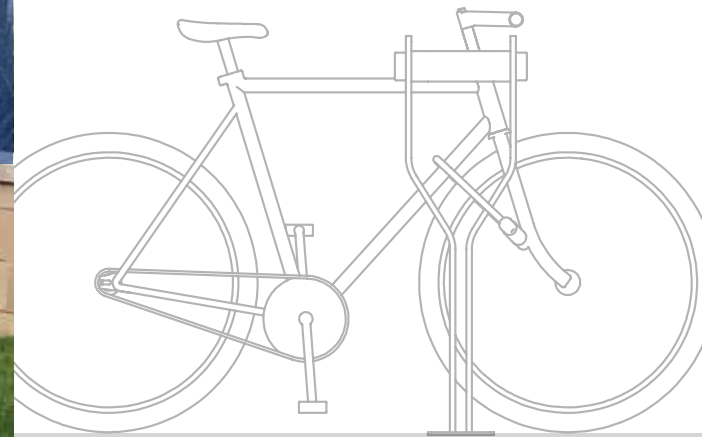
- 68 3/4" Wide x 95" Tall x 48" Deep
- 2" and 1-1/2" Square Tubing
- Polycarbonate Roof Top and Back Wall
- Galvanized or Powder Coated
- Surface Mount
- Bench, Wall Mounted RepairSTAN, PHIL-UP and Wheel Pocket Included



Bike Racks



Stout™

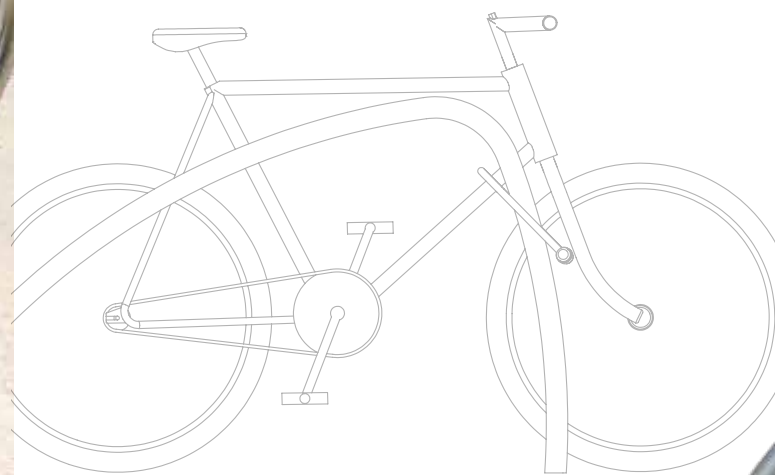


- 2-1/2" x 1/2" Flat Bar and 2 x 3 Profile Board
- Recycled Plastic or Ipe Profile Board
- Parks 2 Bikes
- Galvanized or Powder Coated
- In-Ground or Surface Mount



STR-2-WI

Finn™

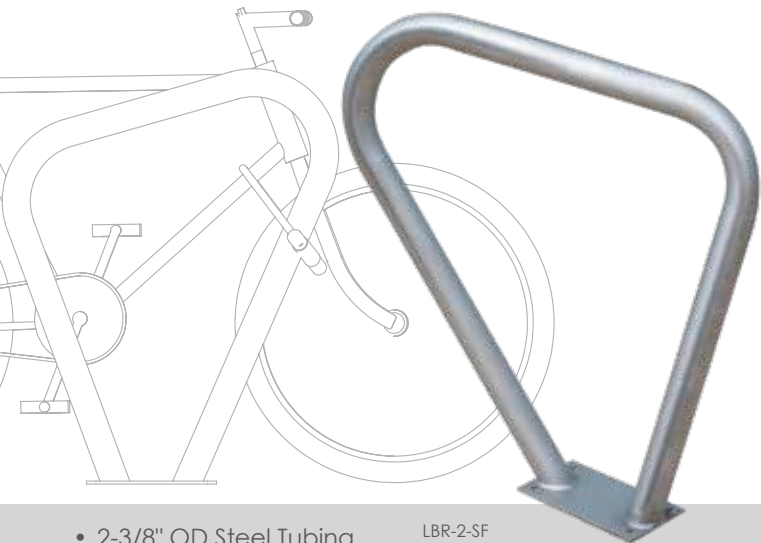


- 1-7/8" OD Steel Tubing
- Parks 2 Bikes
- Galvanized, Powder Coated, or Stainless Steel
- In-Ground or Surface Mount



FIN-2-SF

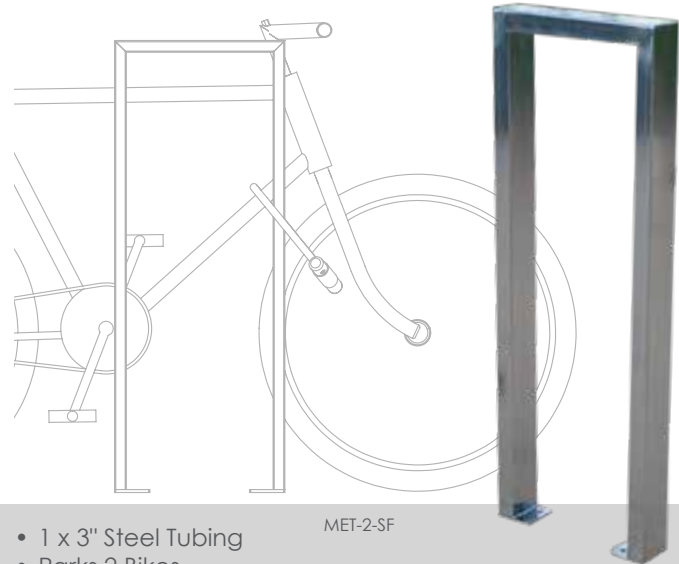
Lofty™



LBR-2-SF

- 2-3/8" OD Steel Tubing
- Parks 2 Bikes
- Galvanized, Powder Coated, or Stainless Steel
- In-Ground or Surface Mount

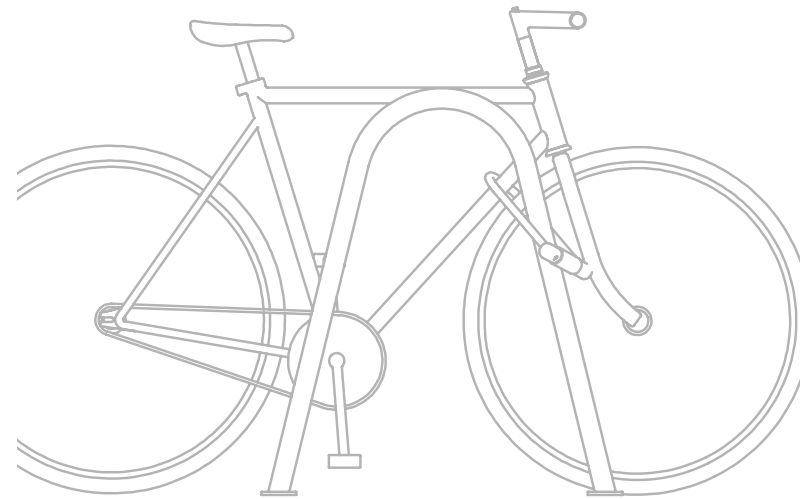
Metro™



MET-2-SF

- 1 x 3" Steel Tubing
- Parks 2 Bikes
- Galvanized, Powder Coated, or Stainless Steel
- In-Ground or Surface Mount

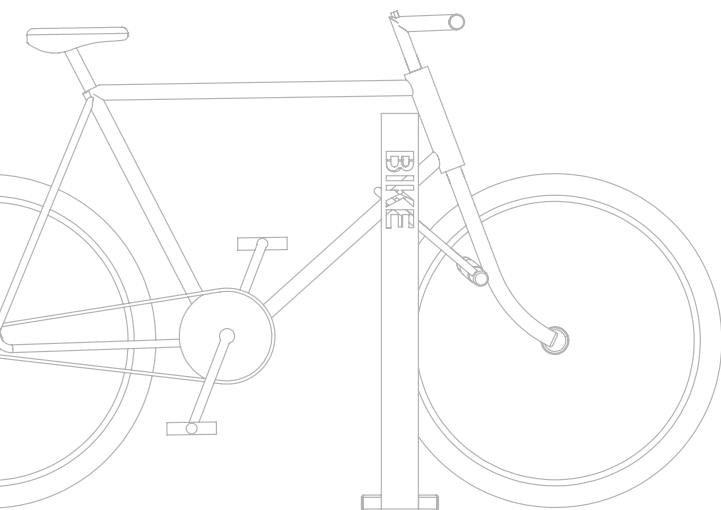
Wingra™



WBR-2-SF

- 1-5/8" OD Steel Tubing
- Parks 2 Bikes
- Galvanized, Powder Coated, or Stainless Steel
- In-Ground or Surface Mount

Pierce™



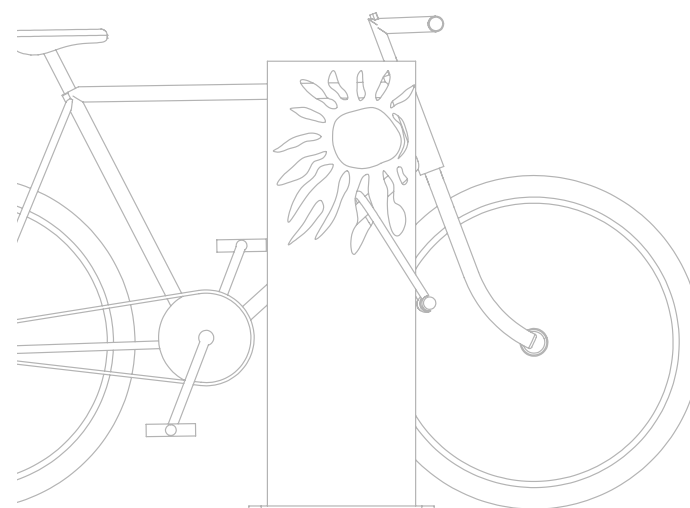
PBP-2-CUSTOM

PBP-2-SF

PBP-2-SF

- 3" Wide Flat Bar
- Parks 2 Bikes
- Galvanized, Powder Coated, or Stainless Steel
- In-Ground or Surface Mount
- U-Locking Support Rod

Shadow™



SHB-SUN-2-SF

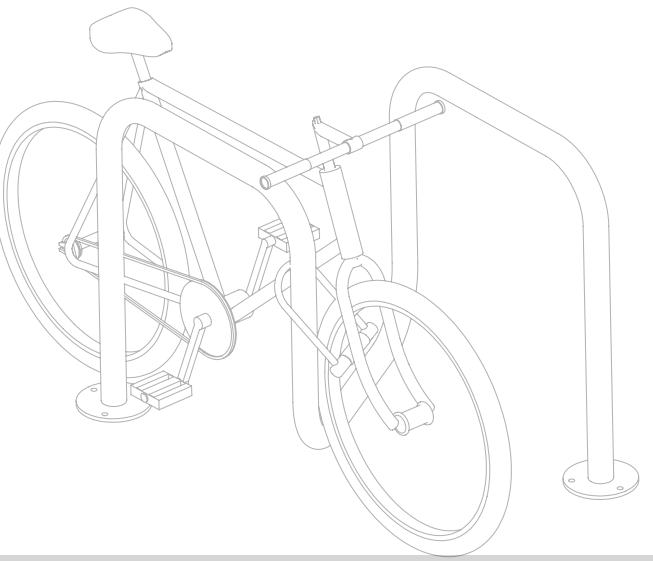
SHB-CUSTOM

SHB-GULL-2-SF

SHB-BEE-2-SF

- 1/2" Thick Steel Plate
- Parks 2 Bikes
- Galvanized or Powder Coated
- In-Ground or Surface Mount
- Choose from 3 Styles: Sun, Bee, or Seagulls
- Custom Options Available

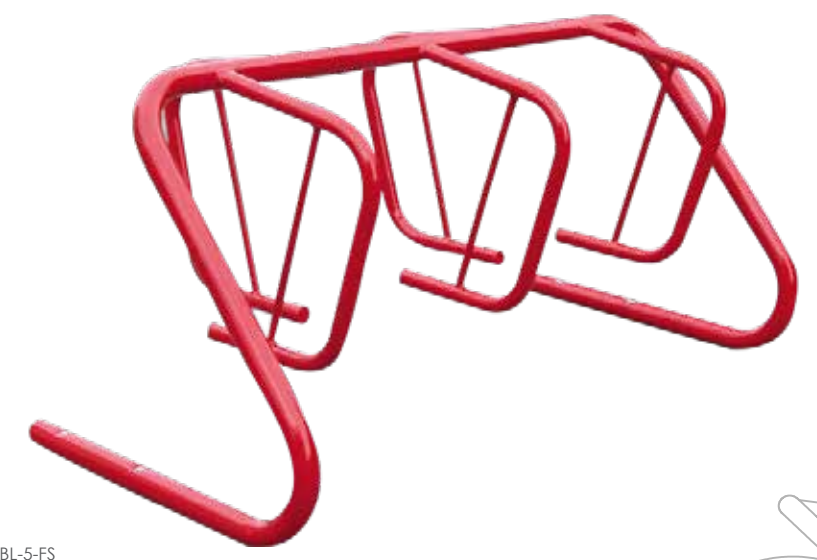
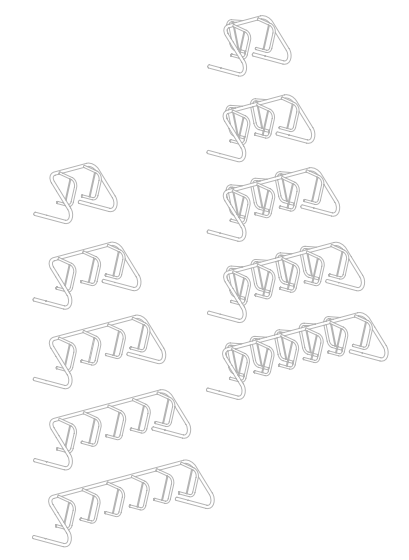
Genesis™



GNS-8-SF

- 2-3/8" OD Steel Tubing
- Parks 2-8 Bikes
- Galvanized, Powder Coated, or Stainless Steel
- In-Ground or Surface Mount
- Two Points of Contact, Guides Bikes into Proper Position, and Provides Sufficient Spacing for Bikes

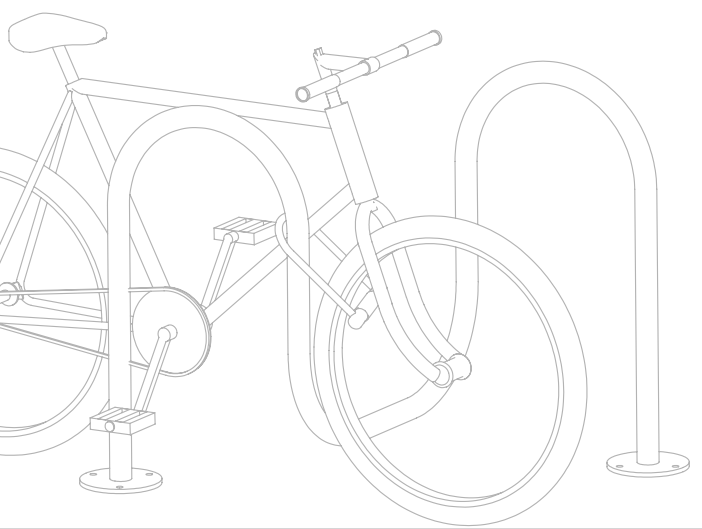
Spartan™



SPR-DBL-5-FS

- 34" High, Constructed of 2-3/8" OD and 1-5/8" OD Steel Tubing with a 3/4" Diameter Steel Rod for Locking
- Parks 2-13 Bikes
- Galvanized or Powder Coated
- In-Ground, Surface Mount, or Freestanding
- Clean Lines which Combine both Form and Function while Keeping Bikes Neatly Aligned and Upright
- Offers a 25" Spacing between Bikes and All-Welded Construction

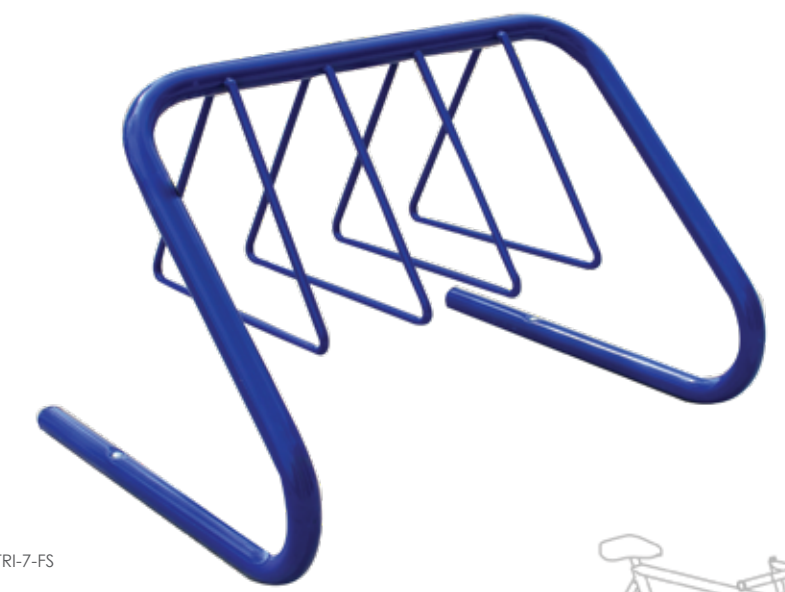
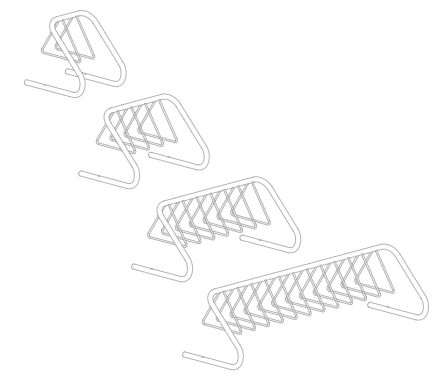
Circa 2000™



CIR-6-SF

- 1-7/8" OD Steel Tubing
- Parks 2-8 Bikes
- Galvanized, Powder Coated, or Stainless Steel
- In-Ground or Surface Mount
- Two Points of Contact, Concentric Design Helps Guide Bikes into Place while Spacing them Safely Apart

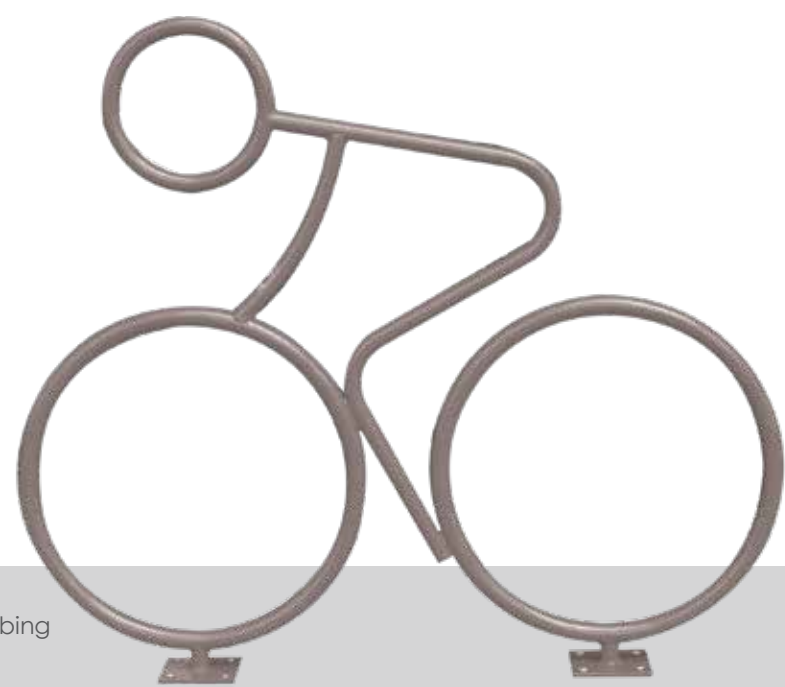
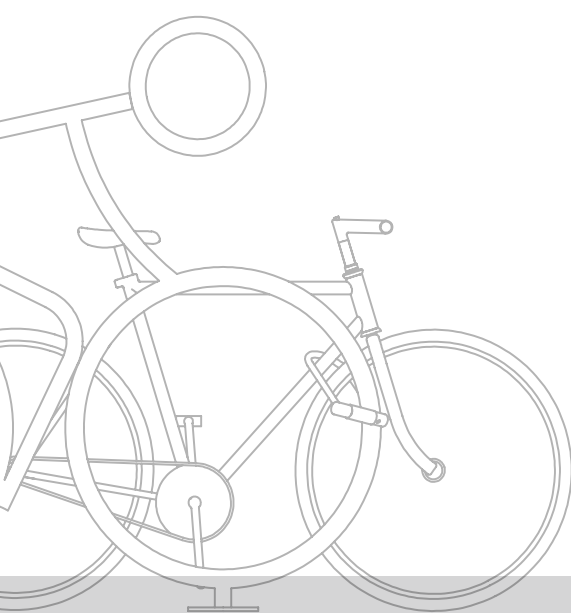
Triton™



TRI-7-FS

- 34" High, Constructed of 2-3/8" OD Steel Tubing and a 3/4" Diameter Solid Steel Rod
- Parks 5-14 Bikes
- Galvanized or Powder Coated
- In-Ground, Surface Mount, or Freestanding
- Ease of Loading from both Sides, Versatile, Accepts all Types of Bikes and Allows Locking of Frame and Wheel with U-Lock

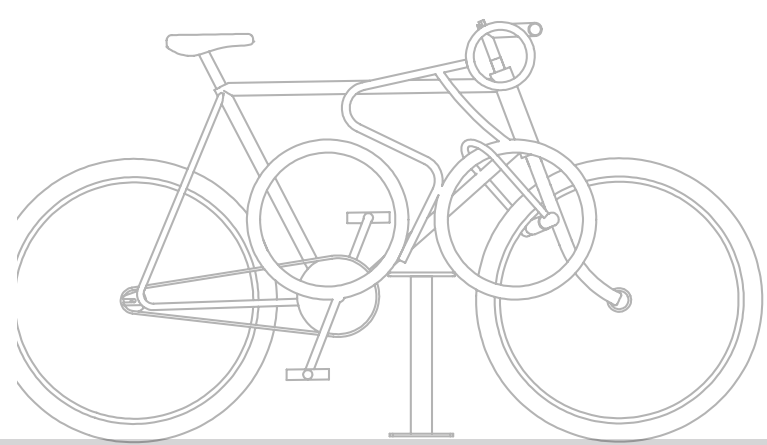
Advocate™



ADB-4-SF

- 58-1/2" High, Constructed of 1-7/8" and 1-5/8" OD Steel Tubing
- Parks 2-4 Bikes
- Galvanized, Powder Coated, or Stainless Steel
- In-Ground and Surface Mount
- Two Points of Contact

Advocate Mini™

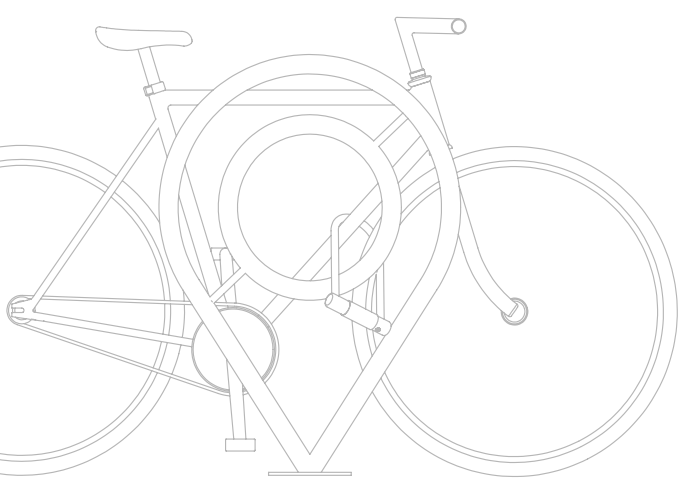


ADM-2-SF

- 39-1/2" High, Constructed of 3/4" Rod, 2" Square, and 1-1/4" OD Steel Tubing
- Parks 2 Bikes
- Galvanized, Powder Coated, or Stainless Steel
- In-Ground and Surface Mount
- Two Points of Contact

Pin Rack

New!



PIN-2-RING-SF



PIN-2-BIKE-SF



PIN-2-COFFEE-SF



PIN-2-DOG-SF



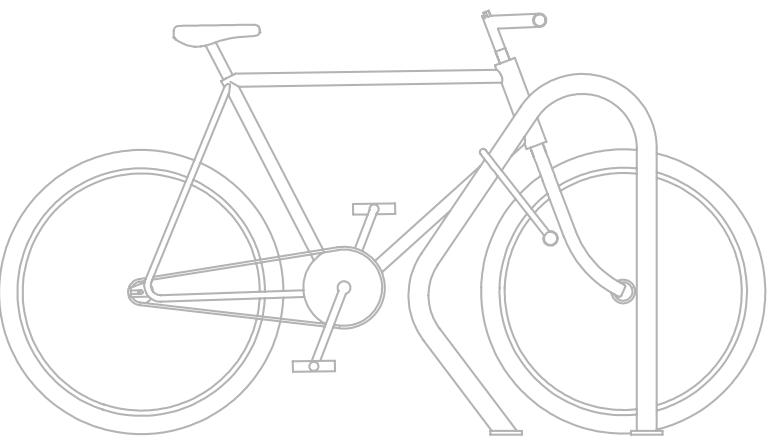
PIN-2-RESTAURANT-SF



PIN-2-HOSPITAL-SF

- 35-5/32" High, Constructed of 1-5/8" Steel Tubing
- Parks 2 Bikes
- Galvanized, Powder Coated, or Stainless Steel
- In-Ground and Surface Mount
- Two Points of Contact and Customizable

Phoenix™



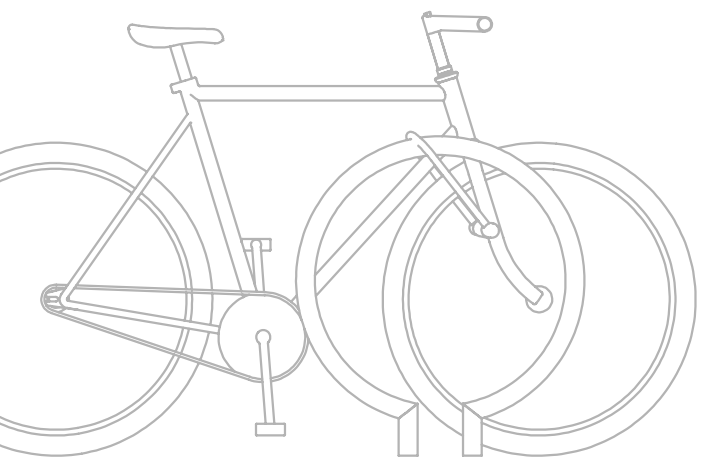
PHX-SNG-2-SF



PHX-SNG-8

- 36" High, Constructed of 1-7/8" OD Steel Tubing and 3" 'C' Channel
- Parks 2-10 Bikes
- 30" Spacing
- Galvanized, Powder Coated, or Stainless Steel
- In-Ground, Surface Mount, or Channel Mount
- Two Points of Contact, Durable, Sophisticated and Robust Frame to Endure the Environment

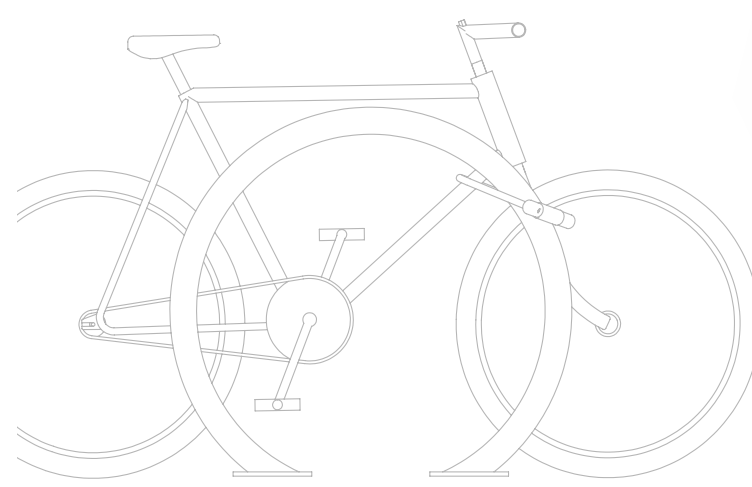
Opal™



OPR-2-SF

- 27-5/8" High, Constructed of 1-5/8" Steel Tubing
- Parks 2 Bikes
- Galvanized, Powder Coated or Stainless Steel
- In-Ground and Surface Mount
- Two Points of Contact

Orion™



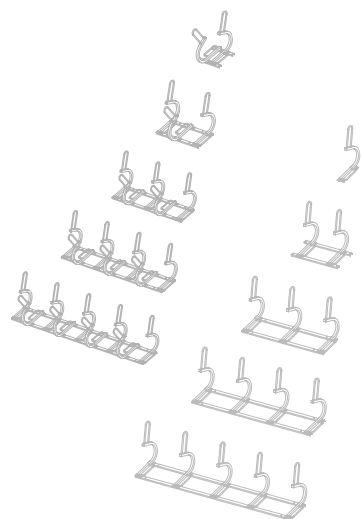
ORNS-LB-2-SF



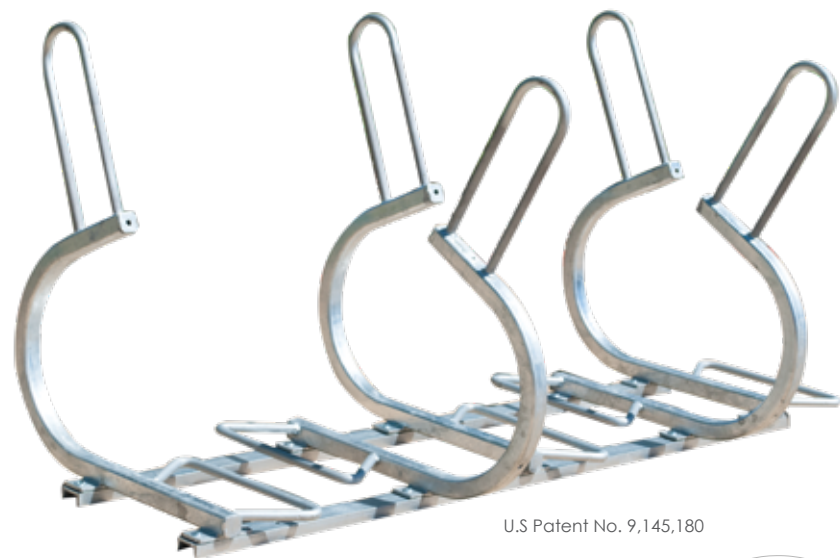
ORN-2-SF

- 2-3/8" OD or 2" Square Steel Tubing
- Parks 2 Bikes
- Galvanized, Powder Coated, or Stainless Steel
- In-Ground and Surface Mount
- Two Points of Contact and Aesthetically Pleasing

Sentry™

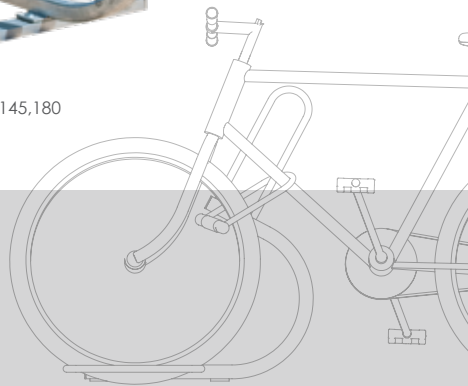


SEN-DBL-5



U.S. Patent No. 9,145,180

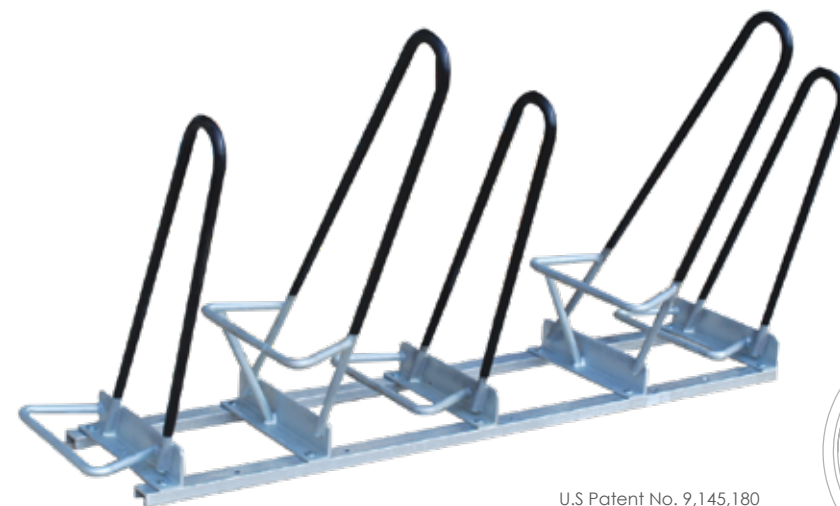
- 33" High, Constructed of 1-1/2" Square Steel Tubing, 2" 'C' Channel and 3/4" Diameter Steel Rod
- Parks 1-9 Bikes
- Galvanized or Powder Coated
- In-Ground, Surface Mount, or Channel Mount
- Front Wheel Stops for Positive Parking and 3/4" Solid Rod for U-Locks
- 30" Spacing between Bikes, Tamper-Resistant Construction, and Ease of Installation



Shark Up™

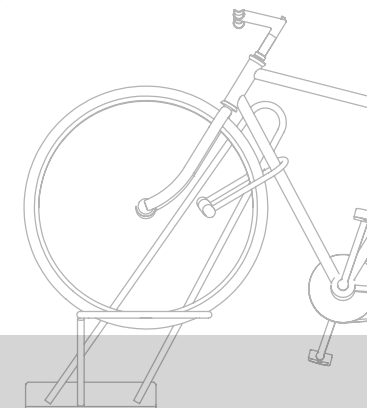


SHU-SNG-5-VCC

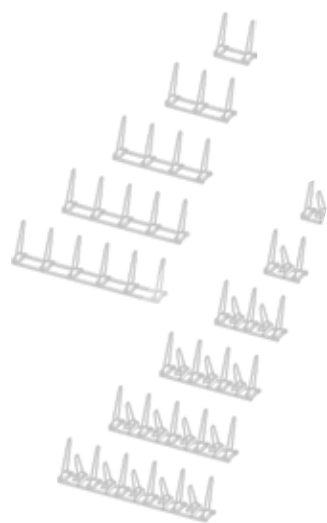


U.S. Patent No. 9,145,180

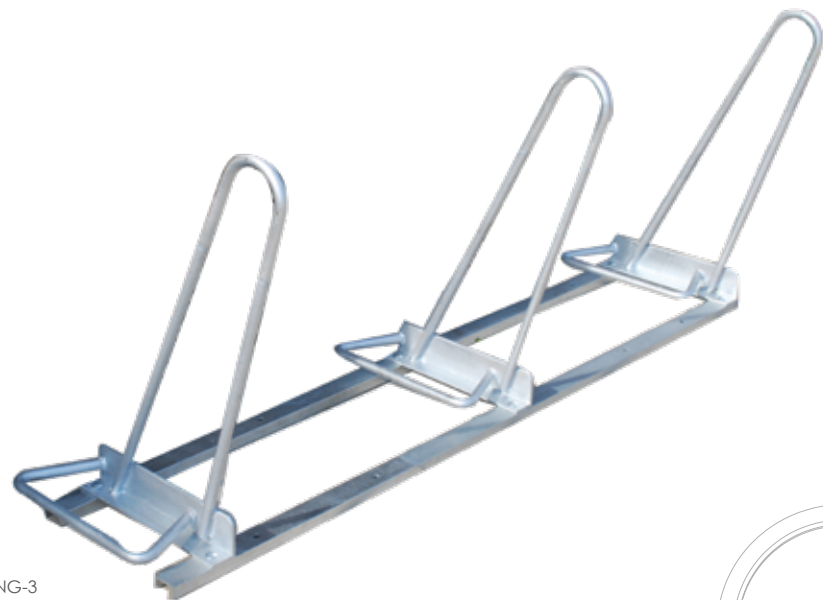
- 35-3/4" High, Constructed of 2 x 3" Angle, 2" 'C' Channel, and 3/4" Solid Rod for Locking
- Parks 1-9 Bikes
- Galvanized or Powder Coated
- Economical, Practical, Compact, Wheel Stops for Positive Parking, and Bike Friendly Vinyl Cushion Coating Option



Shark™

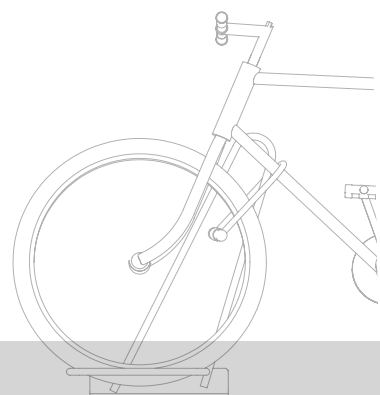


SHK-SNG-3



U.S. Patent No. 9,145,180

- 29-1/2" High, Constructed of 2 x 3" Angle, 2" 'C' Channel, and 3/4" Solid Rod for Locking
- Parks 1-11 Bikes
- Galvanized or Powder Coated
- Economical, Practical, Compact, Wheel Stops for Positive Parking, and Bike Friendly Vinyl Cushion Coating Option



'U' Racks



U190-SF



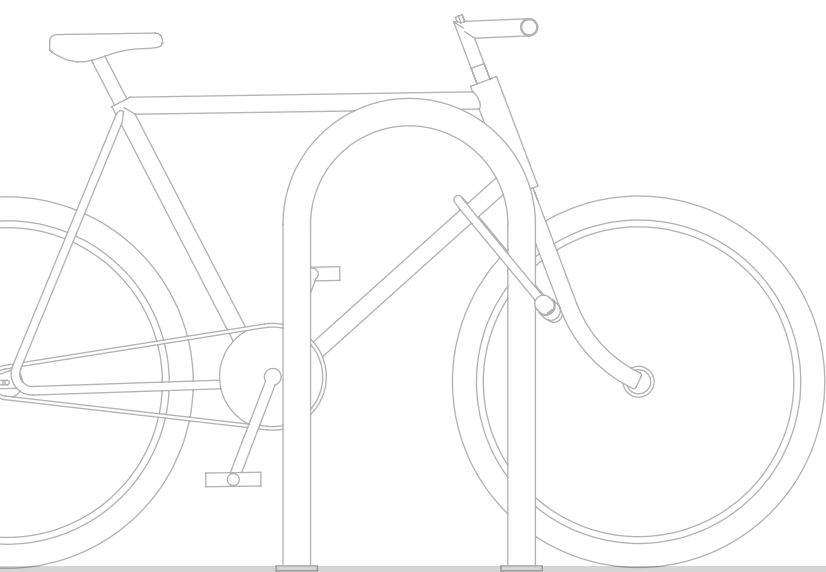
UX238-SF



UX238-LB-SF

- 34" High and Constructed with 1-7/8" and 2-3/8" OD Steel Tubing
- Parks 2 Bikes
- Galvanized, Powder Coated, or Stainless Steel
- In-Ground or Surface Mount
- Two Points of Contact, Economical, and Secure

Square 'U' Racks

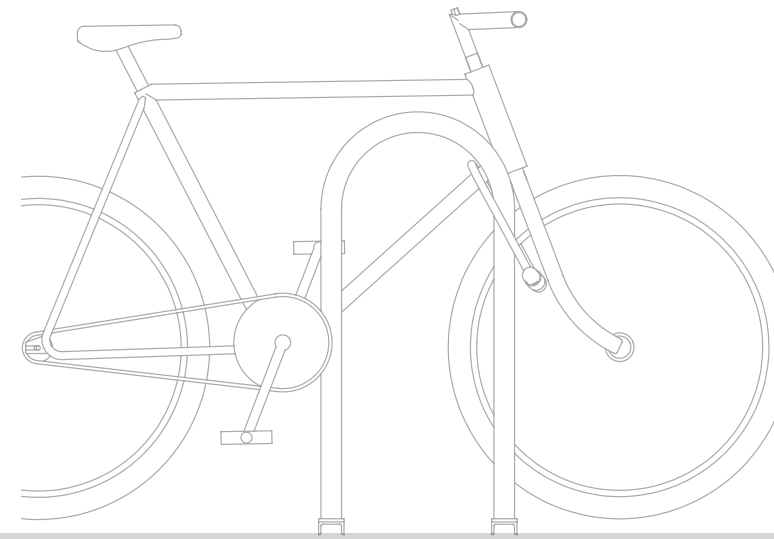


U200-SF

UX200-SF

- 34" High and Constructed with 2" Square Steel Tubing
- Parks 2 Bikes
- Galvanized, Powder Coated, or Electro Polish Stainless Steel
- In-Ground or Surface Mount
- Two Points of Contact, Economical, and Secure

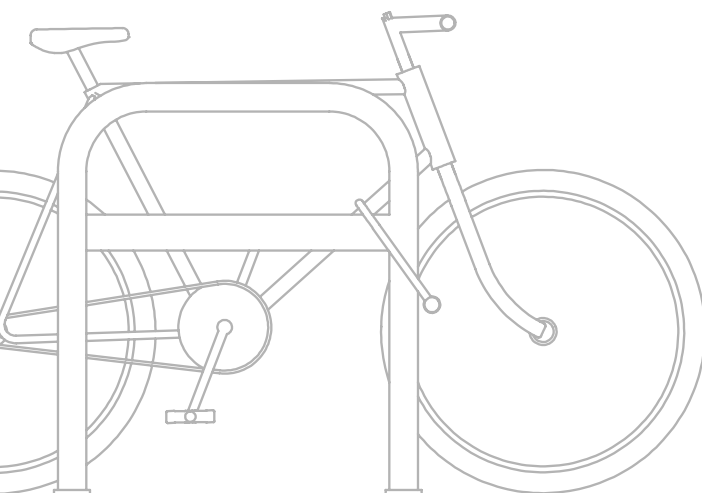
'U' Two™ Racks



UT160-6

- 34" High, Constructed of 1-5/8" OD Steel Tubing and 2" 'C' Channel
- Parks 1-10 Bikes
- 30" Spacing
- Galvanized or Powder Coated
- In-Ground, Surface Mount, or Channel Mount
- Two Points of Contact, Economical, and Secure

'U' Racks on Rails

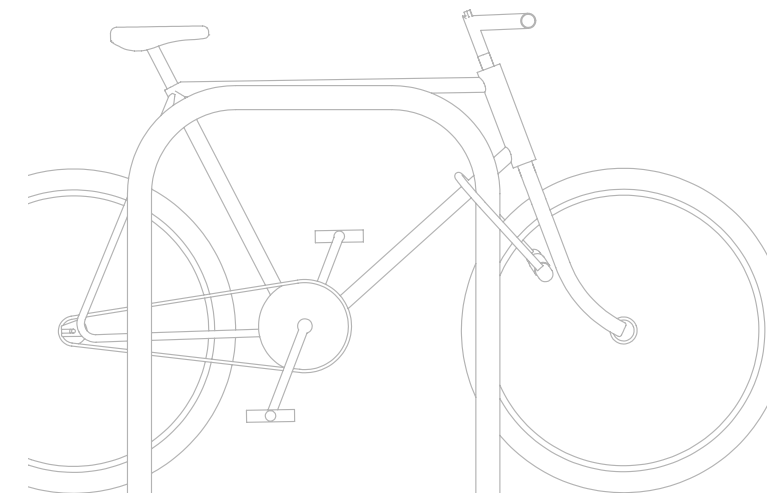


UX238-LB-6



- 34" High, Constructed of 1-7/8" OD, or 2-3/8" OD Steel Tubing, and 3" 'C' Channel
- Parks 1-10 Bikes
- 30" Spacing
- Galvanized, Powder Coated, Stainless Steel, or Electro Polish Stainless Steel
- Two Points of Contact, Economical, and Secure

Square 'U' Racks on Rails



UX200-6



- 34" High, Constructed of 2" Square Steel Tubing and 3" 'C' Channel
- Parks 1-10 Bikes
- 30" Spacing
- Galvanized, Powder Coated, or Electro Polish Stainless Steel
- Two Points of Contact, Square Tubing Acts as a Deterrent to Pipe Cutters

'U' 24 Racks



- 35" High, Constructed of 1-7/8" Steel Tubing
- Parks 2 Bikes
- Galvanized, Powder Coated, or Electro Polish Stainless Steel
- Two Points of Contact

Bike Bollards



- 36" High and, either 4-1/2" OD or 8" OD Tubing
- Parks up to 2 Bikes
- Galvanized, Powder Coated, Stainless Steel, or Electro Polish Stainless
- In-Ground or Surface Mount
- Two Points of Contact, Bike Security, and/or Traffic Barriers
- Bike Parking Arms Optional

- ### Removable Bollards - BOL450-RMC
- Bollard Sleeve
 - Bollards Locked in Place when Installed
 - Cover Protects Opening when Bollard is Removed
 - Hot Dip Galvanized
 - Only Available in 4.5" OD Tubing

Post and Ring Racks



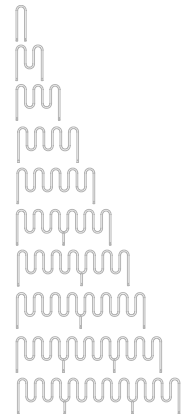
- 2-3/8" OD Steel Tubing and 1-5/8" OD Steel Tubing
- Parks 2 Bikes
- Galvanized, Powder Coated, or Electro Polish Stainless
- In-Ground or Surface Mount
- Two Points of Contact

Leaning Post and Ring Racks



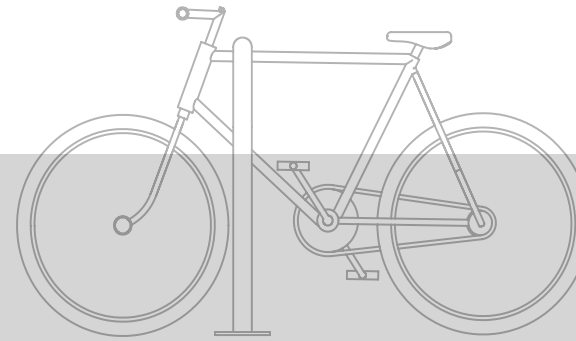
- 2-3/8" OD Steel Tubing and 7/8" OD Steel Tubing
- Parks 2 Bikes
- Galvanized, Powder Coated, or Electro Polish Stainless
- In-Ground or Surface Mount
- Two Points of Contact

Heavy Duty Challenger™

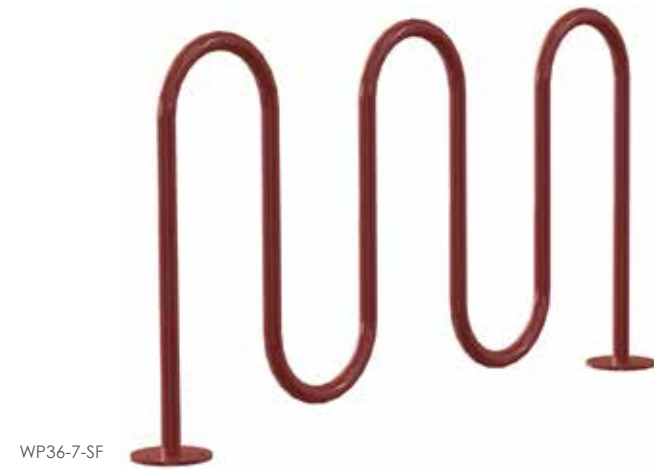
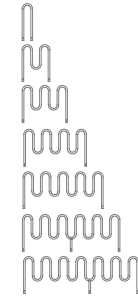


H36-7-SF

- 36" High and 2-3/8" OD Steel Tubing
- Parks 3-21 Bikes
- Galvanized, Powder Coated, or Stainless Steel
- In-Ground or Surface Mount
- Suited for Maximum Durability

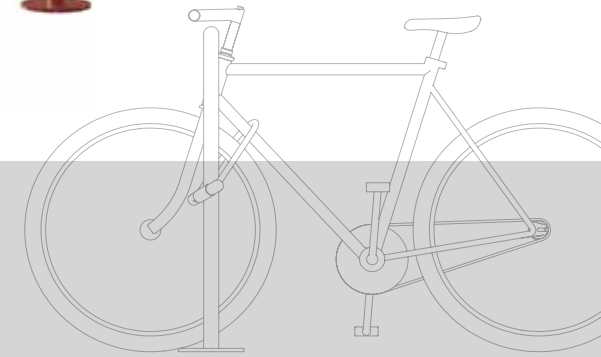


Winder-Plus™

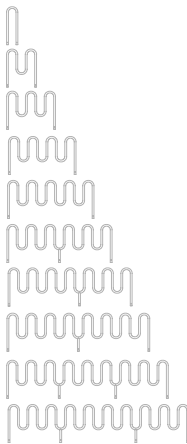


WP36-7-SF

- 36" High, Constructed of 1-5/8" OD Steel Tubing
- Parks 3-11 Bikes
- Galvanized, Powder Coated, or Stainless Steel
- In-Ground or Surface Mount

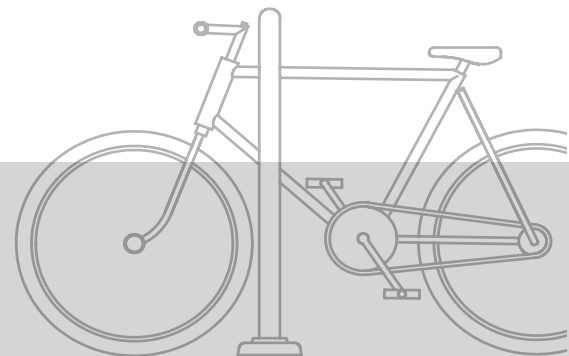


Heavy Duty Winder™

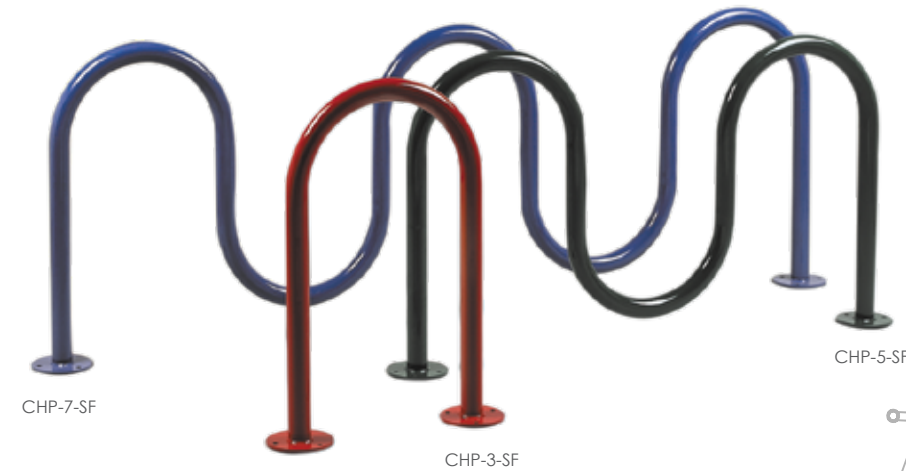
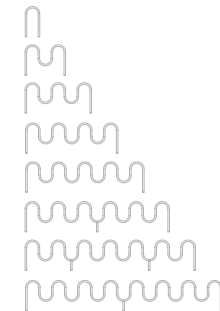


HW238-17-SF with Grout Cover

- Height of 42" for Ease of Parking from both Sides
- 2-3/8" OD Steel Tubing
- Parks 3-21 Bikes
- Galvanized, Powder Coated, or Stainless Steel
- In-Ground or Surface Mount



Challenger-Plus™

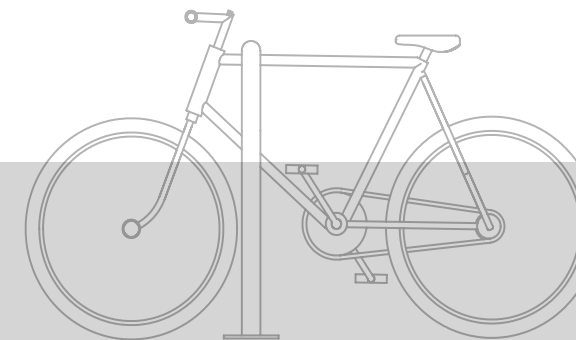


CHP-7-SF

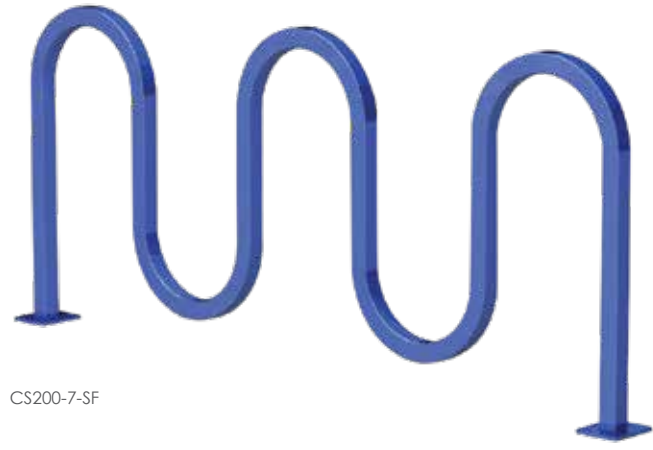
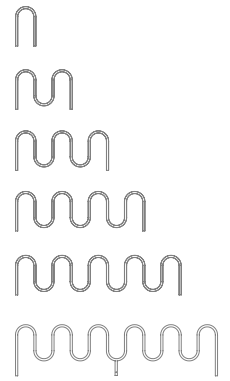
CHP-3-SF

CHP-5-SF

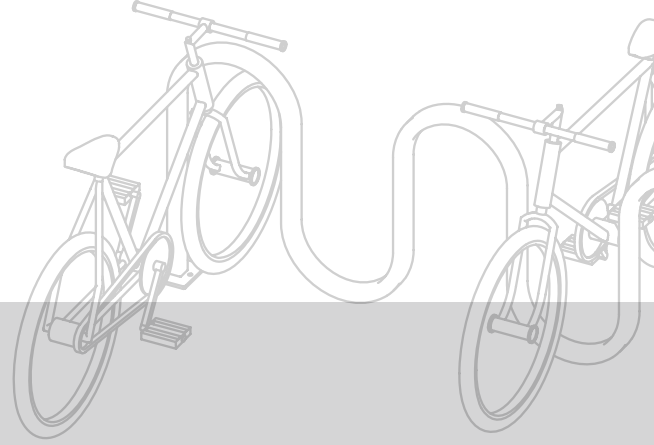
- 36" High and 2-3/8" OD Steel Tubing
- Parks 3-13 Bikes
- Galvanized, Powder Coated, or Stainless Steel
- In-Ground or Surface Mount
- 19-1/2" Wide Loops for Ease of Parking



Capitol Square™



CS200-7-SF

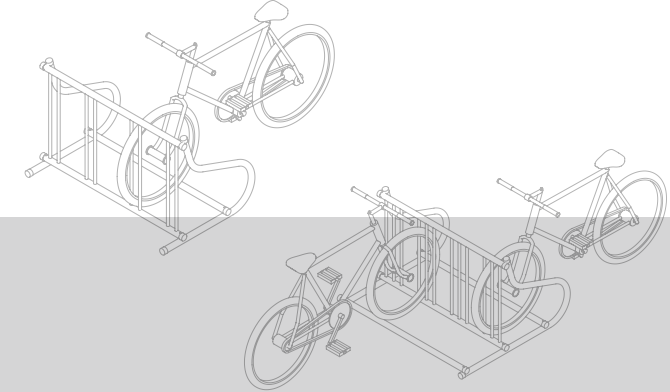


- 36" High, Constructed of 2" Square Steel Tubing
- Parks 3-13
- Galvanized, Powder Coated, or Electro Polish Stainless
- In-Ground or Surface Mount
- Square Tubing to Prevent Cutting
- 18-1/4" Wide Loops

Gridrac™



GR112

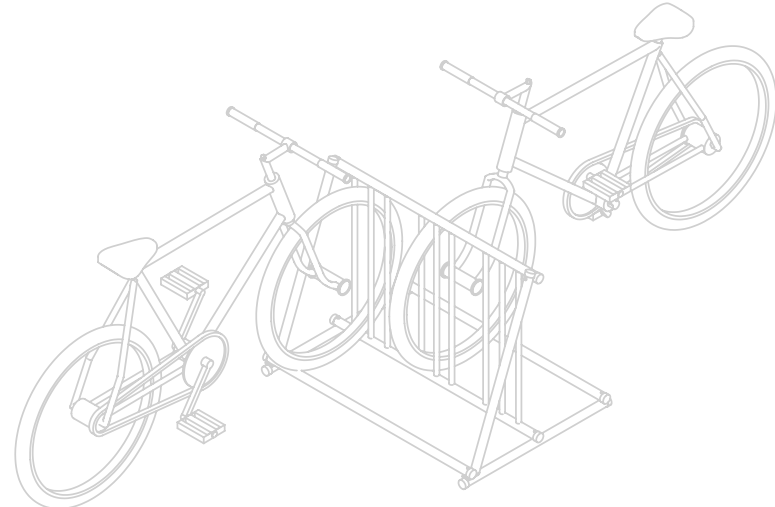


- 31" High, Constructed 1-5/8" OD and 3/4" OD Steel Tubing
- Parks 4-18 bikes
- Galvanized or Powder Coated
- Freestanding
- Economical, Traditional Design, and Ease of Use

Grand Stand™

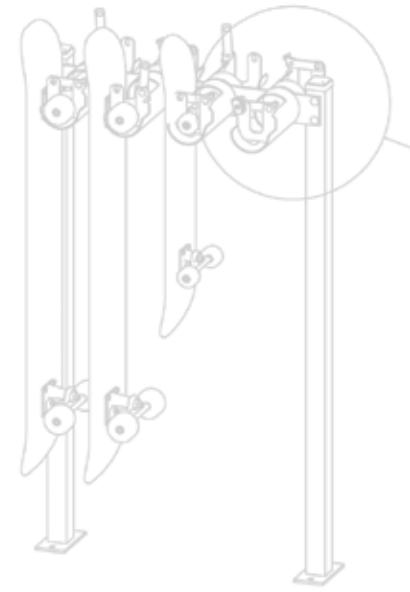


GS200



- 29" High, Constructed of 1-1/4" OD and 3/4" OD Steel Tubing
- Parks 3-6 Bikes
- Galvanized or Powder Coated
- Freestanding
- Economical, Perfect for Homeowner, Small Retailer, or Small Office Complex

Skateboard Rack



Axle Locking Enclosure



SRS-DBL-8-SF

- Constructed with 4" OD Axle Locking Tube, and 2" Square Tubing
- Parks 4 to 8 Skateboards
- Galvanized or Powder Coated
- In-Ground, Surface Mount, or Wall Mount
- Lock with any Padlock
- Fully Assembled Base Unit, Tamper-Welded Construction, Ease of Installation, and Longboard Compatible

All Proprietary Rights Reserved

Bike Corrals



PPBR-14-G

Park Place™



PPS with U190-8, and U190-6

- 41-1/2" High, Constructed of 2" Square Steel Tubing and 1-1/2" Steel Tubing
- Park up to 14 Bikes
- Galvanized or Powder Coated
- Freestanding
- Bicycle Logo Customizable
- Transforms Car Parking Stalls into Functional Bike Parking

Bike Repair Stands



RepairSTAN™



- RepairSTAN™ includes Allen Wrenches: 2.5, 3, 4, 5, 6, 8mm; Adjustable Wrench; Headset Wrench; Pedal Wrench; Open Wrenches: 8, 9, 10, 11mm; Tire Lever; Phillips Screwdriver; and Straight Screwdriver.

PHIL-UP™



- 120 lb Pressure Gauge
- Weather Resistant
- Presta Schrader Valve Head
- Stainless Housing



- Cushioned Bicycle Support
- Stainless Steel Vinyl Coated Tool Tethers
- Tools Are Crimped to End of Tethers
- Steel Mounting Flange with 4 Holes for 3/8" Anchors
- Galvanized, Powder Coated, or Electro Polish Stainless



BRS

BRS-WM

Theme Racks



THR-LETTERS



THR-COFFEE



THR-SMILEY



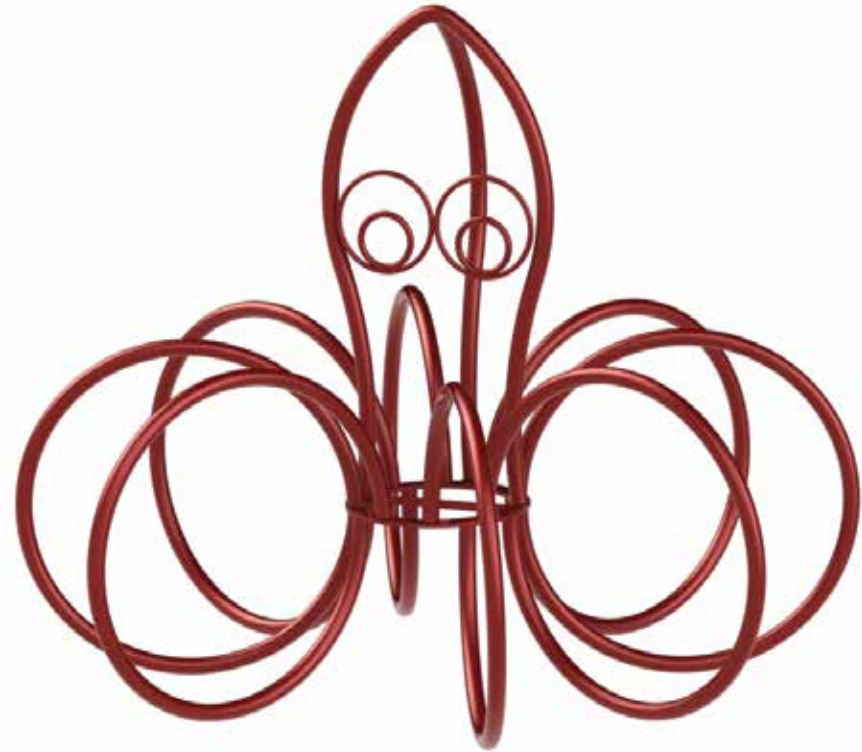
THR-NUMBERS



THR-HEART



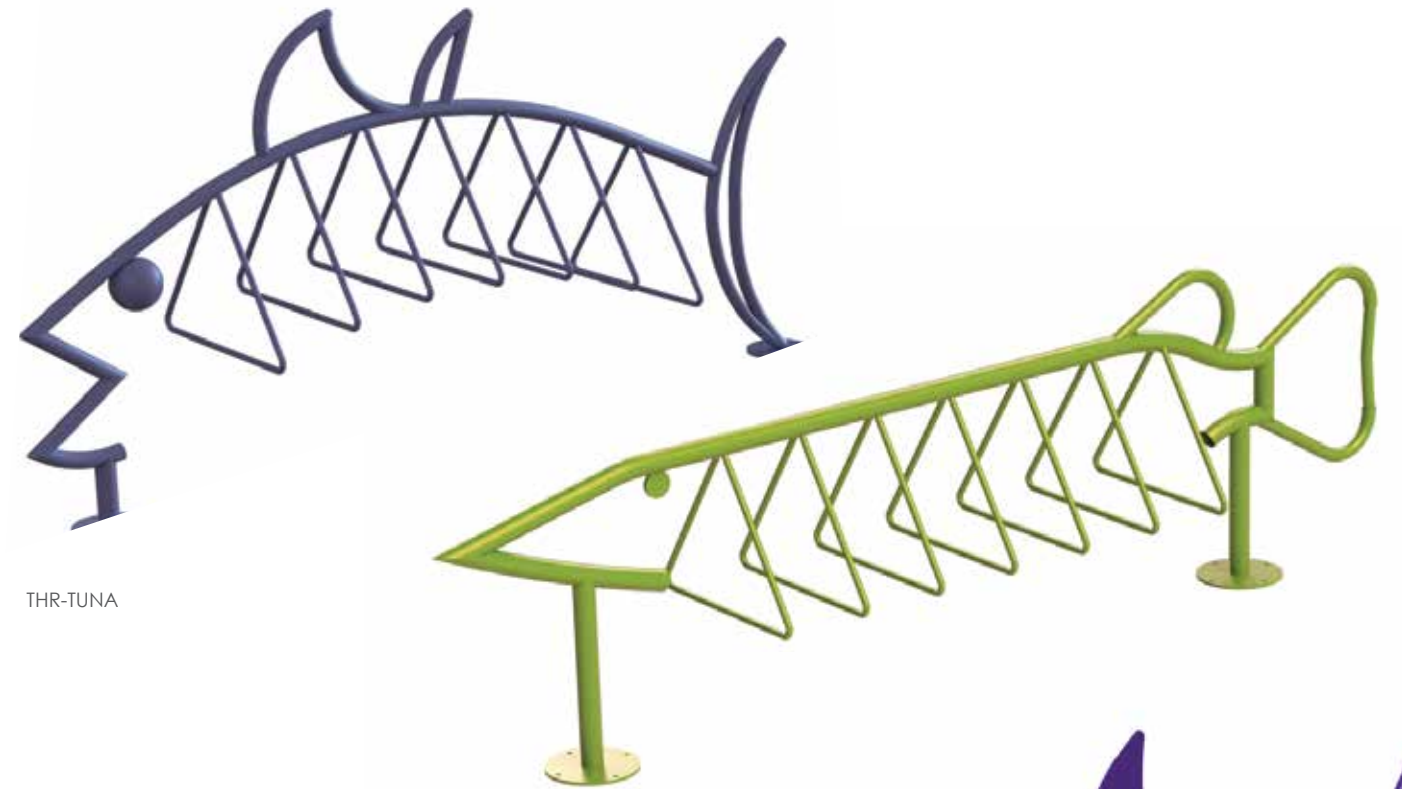
THR-EYEGLASSES



THR-OCTOPUS



THR-PELICAN



THR-TUNA

THR-MUSKIE



THR-FISH



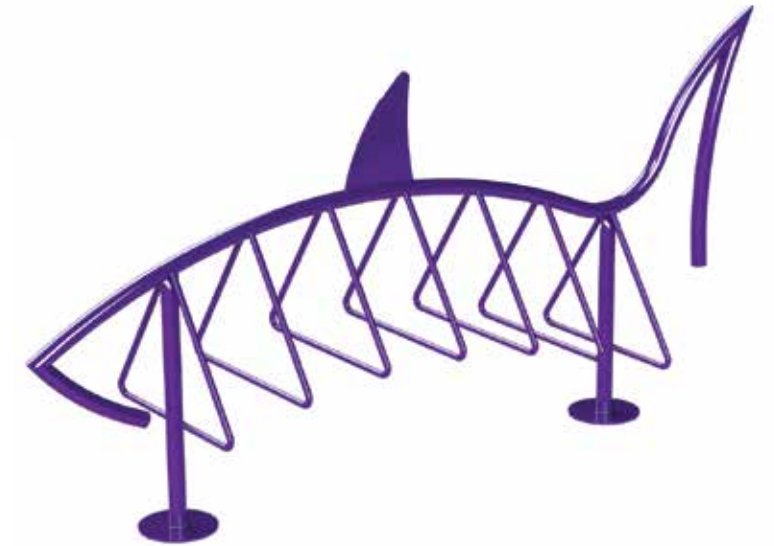
THR-FLAMINGO



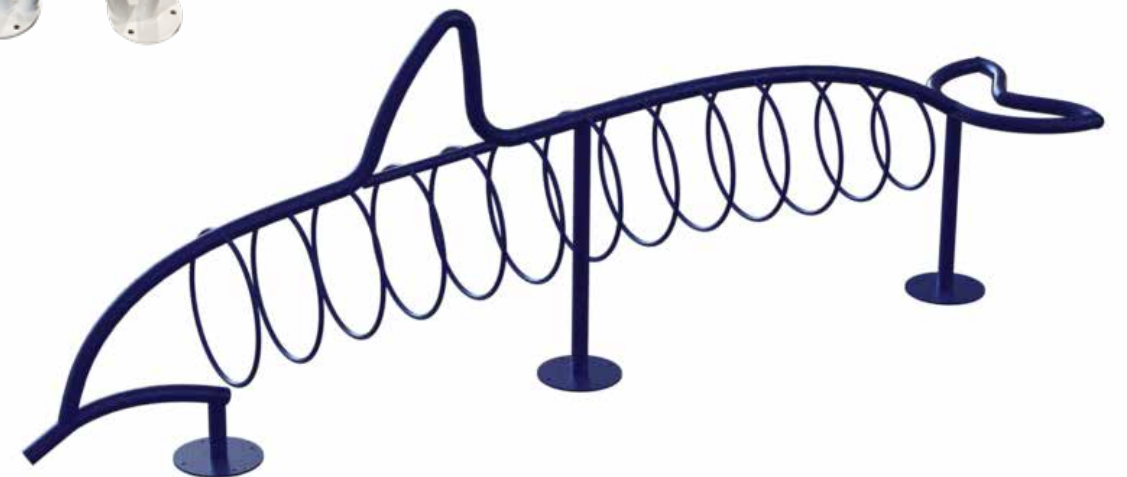
THR-HERON



THR-TOOTH



THR-SHARK



THR-DOLPHIN

Finishes

Galvanized

Our galvanized products are designed to endure the elements, requiring minimal maintenance, and weathering to a resilient battleship grey over time. To achieve this finish, vent holes are incorporated, enabling proper drainage after the hot-dip process in the molten zinc tank. Opting for galvanized products is an economical choice, as they boast excellent rust resistance, backed by a reassuring 5-year warranty.

Black Vinyl Cushion Coating

PVC Coating, also known as Plastisol, is an easy way to protect bicycles in parking racks. Racks are dipped in liquid PVC to achieve a soft durable finish up to 1/8 inch thick. This added cushion protects bicycles from dents and scratches. The default color for this finish is black. Other colors are available upon request. Cushion Coated products have a 1-year warranty..

Stainless Steel

Crafted from stainless steel and polished to a rich, Satin #4 finish, these racks are a highly durable and attractive option that will last through decades of use. As one of our more resilient finishes, Stainless Steel is perfect for products used in salty ocean air and other tough environmental conditions. Products come with a 5-year warranty.

We use two grades of stainless steel -

Grade 304 is the most common type of stainless steel and used in most applications.

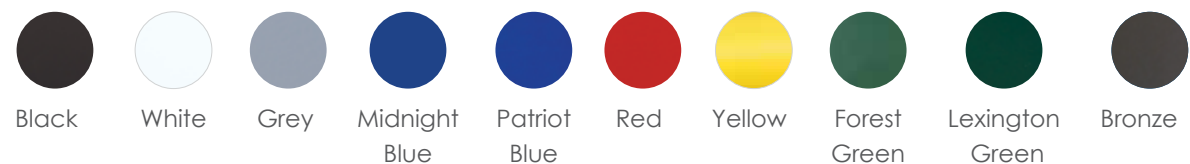
Grade 316, nicknamed Marine Grade, contains higher levels of nickel, which makes it more resistant to corrosion in salty environments. This will be a key material for coastal applications that want to install the most durable product.

Electro Polished Stainless Steel

Much like our Stainless Steel finish, Electro Polished Stainless lends decades of durability to your rack. To achieve this sleek and polished look, our Electro Polished Stainless Steel finished racks are dipped into an electro-chemical bath that removes mill scale impurities and adds a high level of shine. This product is complete with a 5-year warranty.

Thermoplastic Powder Coat

Protect bicycles from dents and scratches with this lightly cushioned thermoplastic finish. The rack is powder coated after fabrication with thermoplastic polyethylene coating, giving the product a slightly soft and protective quality. Thermoplastic Powder Coated products are backed by a 1-year warranty. Limited color selection available.

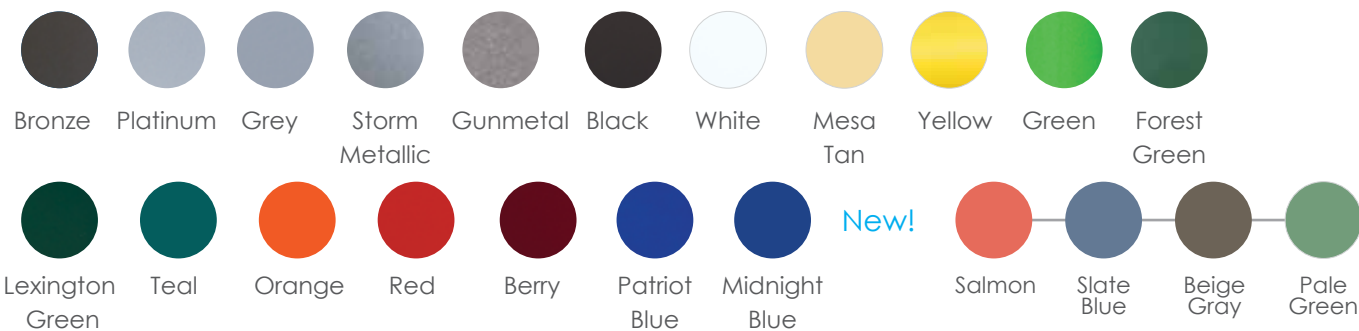


Powder Coated Stainless Steel

Constructed with stainless steel, Powder Coated Stainless Steel racks are highly durable due to the anti-corrosive property of the steel used in construction. Racks are polished and then coated with an electrostatically applied super TGIC polyester powder. These products come with a 5-year warranty due to the durable steel they are constructed with.

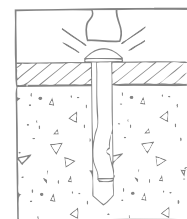
Super TGIC Powder Coat

Available in 22 different colors, Super TGIC coated products will fade significantly less from UV light than other finishes, keeping your rack's color vivid. A rack is powder coated after fabrication with a 5-6mm thick electrostatically applied super polyester powder coating. This finish has a 1-year warranty.



Note: Due to variations in the printing process, colors shown may not be an exact match. Please request color samples from Madrax for accurate color comparisons. Call for available custom finishes.

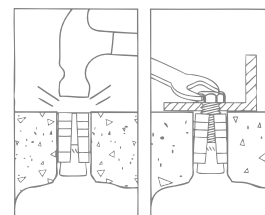
Surface Mounting



Spike

A spike anchor is a single, solid object inserted through the flange on the bike rack and into a drilled hole in the concrete. Because of its shape, it remains lodged in the concrete.

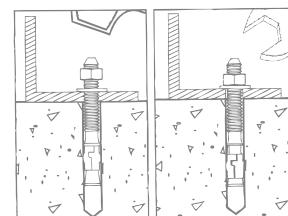
This anchor is nearly impossible to remove, making it the most secure. The concrete surrounding the anchor will need to be chipped away to remove and uninstall the bike rack.



Drop-In Anchor

A drop-in anchor involves an anchor element that is placed into a hole that has been drilled in the concrete. A separate bolt is then inserted into the anchor that expands and sets the anchor. A nut is used to tighten the fixture to the surface.

This type of anchor is most advantageous if the bike rack is removed permanently or for a longer duration of time - like during a winter season. The bolt simply unscrews from the anchor, leaving a flat surface.



Wedge Anchor

A wedge anchor is a single element that is inserted into the hole in the concrete with the male, threaded portion extending above the concrete. A nut is used to tighten the fixture to the surface.

This is a good option if you plan to temporarily remove the bike rack. This could be done to clean the surface.

When using wedge anchors to install bike racks, it is recommended tamper-proof nuts be used. A standard nut on a wedge anchor can easily be removed by thieves with common hand tools.

If the bike rack is removed in the future and the anchor will no longer be needed, the portion of the wedge anchor above the concrete can be sawed off, leaving it flush with the surface.

The wedge anchor can also be pounded into the concrete. But the hole will need to be drilled two times the length of the anchor before installing the wedge anchor if plan on doing this.



Looking for Site Furnishings?

Look to Thomas Steele to Enhance Your Outdoor Space

"We believe beautiful site furnishings that are durable and functional should be a standard, not a premium."

Creative craftsmanship.

For more than a decade, our craftsmen have been creating site furnishings that stand out for their stylish designs, broad palette of colors, and exceptional handcrafted quality.

Designs and finishes made to order.

At Thomas Steele, we offer a wide array of design options, ranging from steel strap, perforated metal, and steel rod to wood. Whether you choose a specific series or mix and match to create a customized environment, our selection caters to your unique needs.

Our standout feature lies in the exquisite finishes we provide, offering unparalleled beauty and variety. From the Thomas Steele design series, handpick any item that catches your eye, select the perfect finish, and we'll bring your vision to life with custom craftsmanship every step of the way. So dive into our catalog, let your imagination soar, and choose Thomas Steele furnishings that perfectly complement your site.

e-Steele™... When FORM is not enough.

No matter how hard the use or how harsh the environment, this premier finish really stands up against pitting, staining, and rusting.

Thomas Steele improves the industry standard polyester powder finish by applying a state-of-the-art 18-step finishing process that includes sandblasting, zinc corrosion protection, epoxy primer and TGIC Super-Durable Polyester powder coat. This is the superior process that is also earth friendly. Our unique e-Steele™ technology produces the most durable result? Gleaming good looks and rugged durability, backed by an unsurpassed 5-year warranty.

TERMS AND CONDITIONS

All orders must be in writing and are subject to acceptance by Graber Manufacturing, Inc. No verbal orders will be accepted. All prices are FOB Graber Manufacturing's factory and are in U.S. dollars. Prices are subject to change without notice. Shipments will be made at prices prevailing at the time of the shipment.

Net is due 30 days from date of invoice when buyer is a tax-supported government entity or a company with approved credit. Buyers without approved credit must submit full payment with order. Service charge is 1-1/2% per month on all invoices after 30 days. Graber Manufacturing, Inc. also honors American Express, MasterCard and VISA. (Credit card fees of 3% maybe assessed if used at other times) Graber Manufacturing, Inc. reserves the right to change terms if necessary.

Graber Manufacturing, Inc. reserves the right to discontinue or change the design and specification of units, and to ship the revised product without notice when such changes have been made.

 [instagram.com/madrax_bikeracks](https://www.instagram.com/madrax_bikeracks)

 [facebook.com/madraxbikeracks](https://www.facebook.com/madraxbikeracks)

 [linkedin.com/company/madrax-bike-racks](https://www.linkedin.com/company/madrax-bike-racks)

LIMITED WARRANTIES

Madrax division of Graber Manufacturing. ("Madrax") warrants products it manufactures against defects in materials or workmanship for a period of one year from the date of invoice.

Hot dipped galvanized and stainless steel products are warranted against corrosion for a period of five years from the date of invoice. All Madrax products (excluding bicycle lockers and Phil Up tire pump) are warranted against structural failure for a period of twenty years from the date of invoice. Bicycle lockers are warranted against structural failure for a period of one year from the date of invoice.

Superficial wear or damage such as scratches, nicks or dents caused by normal wear and tear are not covered by this warranty. These warranties do not cover any defects or failure due to vandalism, negligence, abuse, accidents, lack of maintenance or improper installation. Unless previously approved in writing by Graber Manufacturing, Inc. this warranty does not cover any defects or failure due to products tampered with or altered, modified or repaired by anyone.

For additional specific conditions and limitations, contact your local Madrax representative or Graber Manufacturing, Inc.



For More Information:
1080 Uniek Drive
Waunakee, WI 53597
P: 800.448.7931
F: 608.849.1081
www.madrax.com



Looking for furniture?
Look to Thomas Steele.
P: 800.448.7931
www.thomas-steele.com



ASLA



Explore our eCommerce website madrax.com

Spending a few minutes on our website can save you hours of research. Cut your specification writing time while getting the bicycle parking that set the standard for security, durability and aesthetics. Visit www.madrax.com

- View our complete product line and purchase online
- Designed to help **architects, engineers and facility owners/managers**
- Get Pricing, CSI specifications and CAD details for all products
- BIM models available on selected items



Prices and specifications subject to change without notice.
©2023 *Graber Manufacturing, Inc.*
Printed in the U.S.A.



1 123-2500