

GENERAL INSTRUCTIONS

1. Handle with care so that the painted surfaces are not marred.
2. Leave all fasteners loose until instructed to tighten.
3. Take care to not cross thread fasteners.
4. All fasteners are 1/4"-20 x 1/2" Stainless Steel Button Head Screws, except for the leveling hardware and the hardware used to attach the lock handle.

TOOLS NEEDED

5/32" and 1/8" Hex Allen Wrenches
3/8" Open End Wrench
7/16" Open End Wrench
3/4" Open End Wrench
8" Adjustable Wrench
Straight Tip Screwdriver
Padding to protect painted surfaces during assembly

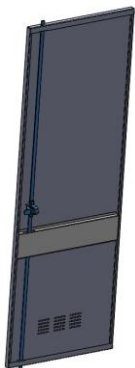
MATERIALS INCLUDED IN KIT

1/4"-20 x 1/2" Button Head
3/8" x 5" Anchor Spikes
1/2"-13 Nut
1/2"-13 x 3 1/2" Carriage Bolt
1/4" Flat Fender Washer
1/4"-20 x 1" Button Head Socket Cap Screws
10-24 Nylon Nuts
10-24 x 3/4" Tamper Resistant Screws

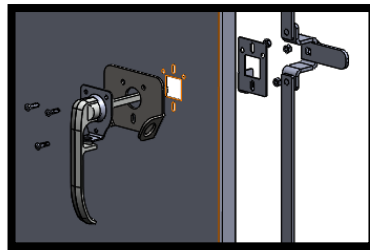
STEP 1

Assemble the **DOOR PANEL** with the **CAM AND LOCKING BAR ASSEMBLY** and the **LOCK AND HANDLE ASSEMBLY** on a padded surface, face down. Allow the handle to extend over the edge of a work surface for ease of assembly.

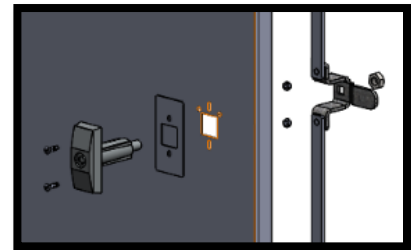
Insert the bottom lock bar first, then the top. See handle assembly illustrations below for order of assembly. Assemble the appropriate handle with **10-24 x 3/4" Tamper Resistant Screws** and **10-24 Nylon Nuts**.



Padlock / U Lock Handle Assembly



Pop Out T Handle Assembly

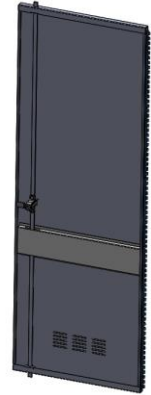


STEP 2

Attach the **HINGE** with **1/4-20 x 1/2" Button Head Socket Cap Screws**.

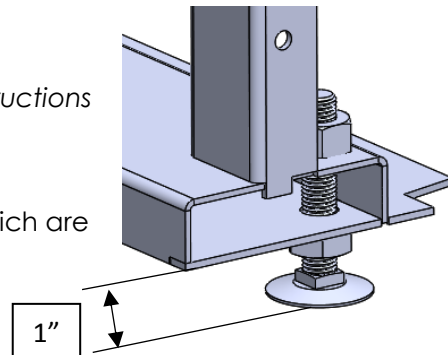
It is important that the **HINGE** is parallel and straight to the front face of the door. The easiest method is to push the **HINGE** down toward the front of the door while tightening the screws.

Verify that all hardware is tight, especially the handle hardware.

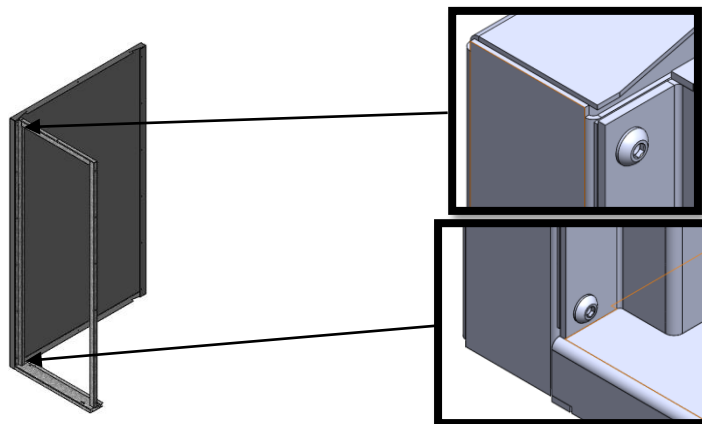
**STEP 3**

If this is a bank of lockers please see Locker Connection Instructions before installing the feet.

Install the **1/2"-13 x 3 1/2" Carriage Bolt** and **1/2"-13 Nut**, which are used as **LEVELING FEET**, into the **DOOR JAM ASSEMBLY**, finger tighten with the head of the bolt approximately 1" below the **DOOR JAM ASSEMBLY**.

**STEP 4**

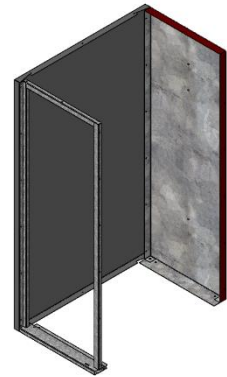
The top of the **SIDE** has 3 holes. Be sure it is right side up. Attach the **DOOR JAM ASSEMBLY** to the **SIDE** with **1/4"-20 x 1/2" Button Head Socket Cap Screws**. Only attach the **SIDE** to the **DOOR JAM ASSEMBLY** by the top and bottom screw at this time. The remaining holes will be used to attach the **HINGE**.



STEP 5

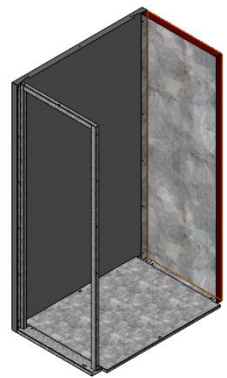
Attach the **BACK PANEL** with **1/4"-20 x 1/2" Button Head Socket Cap Screws**.
Note: Screw hole in upper left corner may not be used.

Install the **LEVELING FEET**, **1/2"-13 x 3 1/2" Carriage Bolt** and **1/2"-13 Nut**, in the bottom of the **BACK PANEL**.

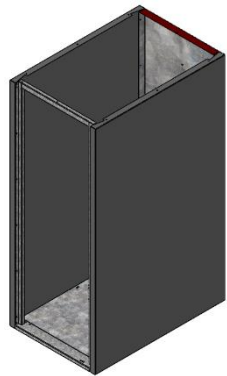
**STEP 6**

Slide the **FLOOR** inside the locker from the side. Secure with **1/4"-20 x 1" Button Head Socket Cap Screws** and **1/4" Fender Washers**.

IMPORTANT: The **FLOOR** lies on top of the **DOOR JAM ASSEMBLY** flange and **SIDE** flange.

**STEP 7**

Install the second **SIDE**, 3 hole side up, with **1/4"-20 x 1/2" Button Head Socket Cap Screws**.

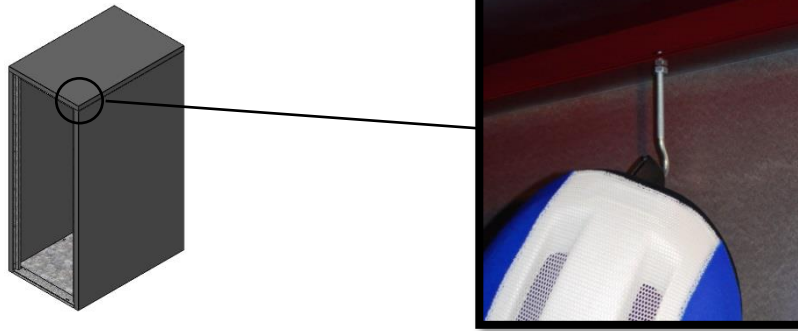


STEP 8

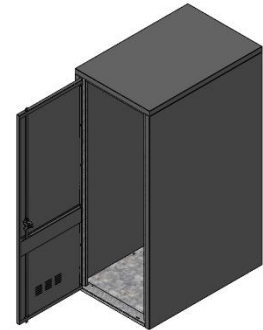
If this is a bank of lockers please see Locker Connection Instructions before installing the **ROOF PANEL**.

There is a hole on the lock side, nearest to the door, where the **SIDE** and the **ROOF PANEL** should be screwed together. Install the **accessory hooks** and **jamb nut** into this hole by inserting the hook and tightening the nut.

Install the **ROOF PANEL** with **1/4"-20 x 1/2" Button Head Socket Cap Screws**.

**STEP 9**

Install the **DOOR PANEL** with **1/4"-20 x 1/2" Button Head Socket Cap Screws** and tighten these fasteners.

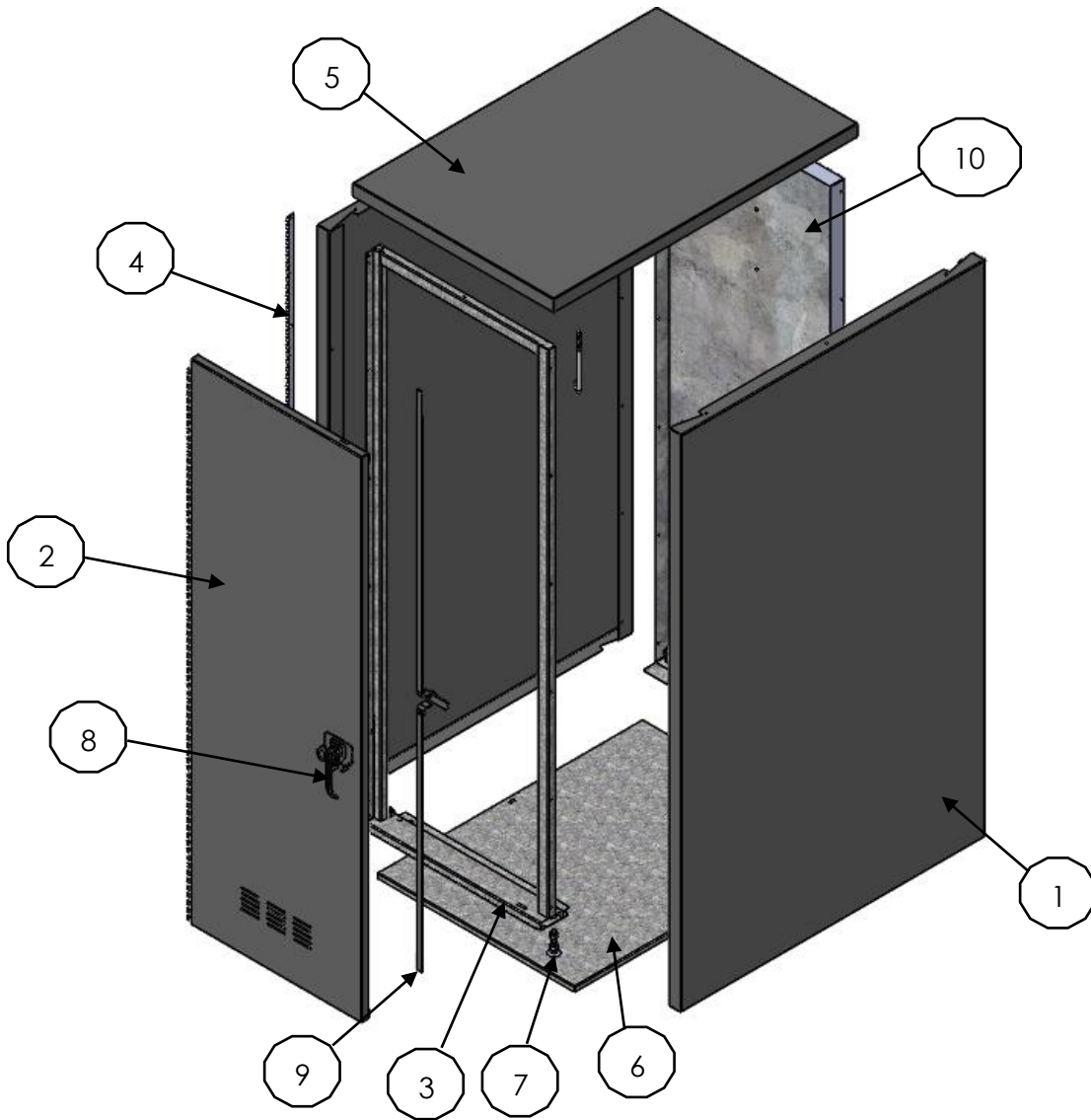
**STEP 10**

Level the locker by adjusting the bottom nut on the **LEVELING FEET** and securing by tightening the inside nut.

Verify that the spacing around the **DOOR PANEL** is nearly equal on all sides, the **DOOR PANEL** swing freely, and the lock and lock bar engage properly and securely. If there is binding in the door closure, loosen all door hinge fasteners, straighten hinge(s) and re-tighten.

Use **Spike Anchors** to attach the locker to the concrete surface through the holes provided in the threshold.

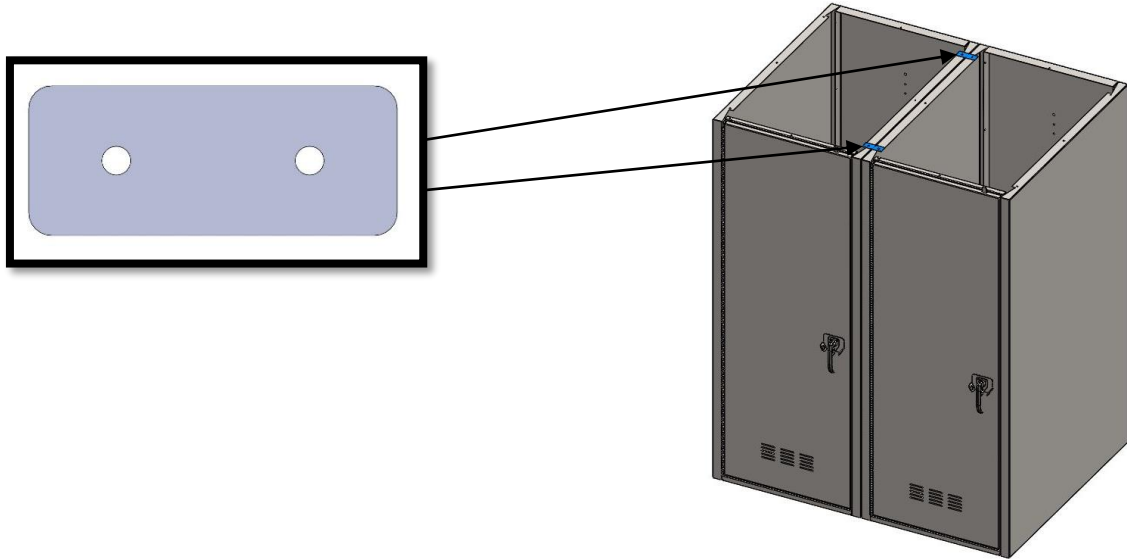




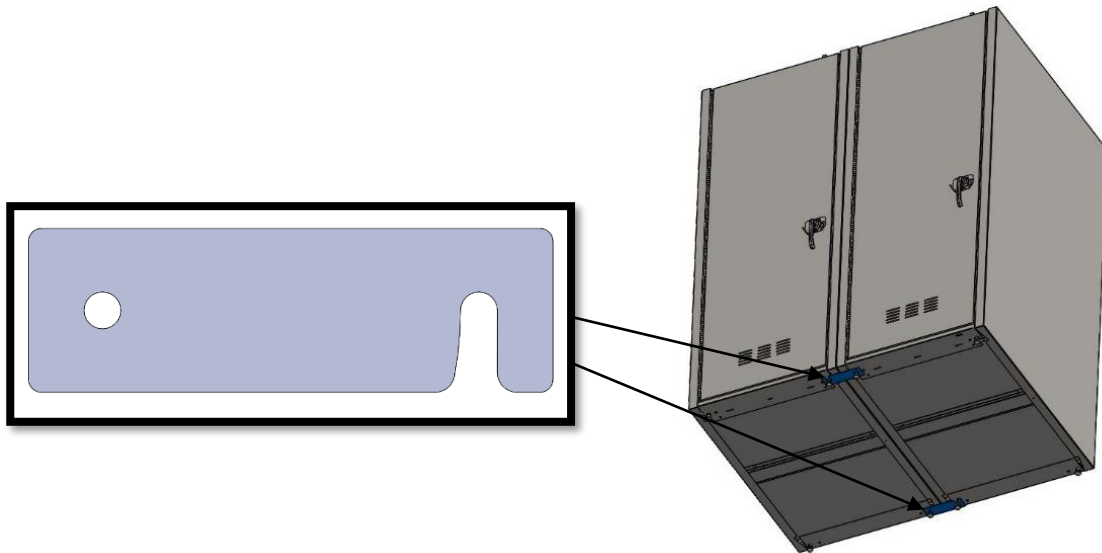
ITEM #	ITEM	QTY
1	MLV-S SIDE	2
2	MLV-DP DOOR PANEL	1
3	MLV-DJA DOOR JAMB ASSEMBLY	1
4	MLV-H HINGE	1
5	MLV-RP ROOF PANEL	1
6	MLV-F FLOOR	1
7	ML-LF LEVELING FOOT	4
8	ML-LH LOCK AND HANDLE ASSEMBLY	1
9	MLV-CL CAM AND LOCKING BAR ASSEMBLY	1
10	MLV-BP BACK PANEL	1

LOCKER CONNECTION INSTRUCTIONS FROM STEP 8**STEP 1**

Before installing the roof, lay the common wall roof connectors over the two adjoining locker sides. Continue to the Locker Assembly sheet to install the roof.

**STEP 2**

Before installing the leveling feet, thread one leveling foot through the hole of a foot connector. Do this for all door jambs on the side closest to the adjoining locker. When the lockers are assembled, the foot connector will pivot, and the slot will connect the adjoining lockers.



CONFIDENTIAL DRAWING AND INFORMATION IS NOT TO BE COPIED OR DISCLOSED TO OTHERS WITHOUT THE CONSENT OF GRABER MFG. INC.
SPECIFICATIONS ARE SUBJECT TO CHANGE WITHOUT NOTICE.
©2018 GRABER MFG. INC. ALL PROPRIETARY RIGHTS RESERVED.
INSTALL BIKE RACKS ACCORDING TO MANUFACTURER'S SPECIFICATION